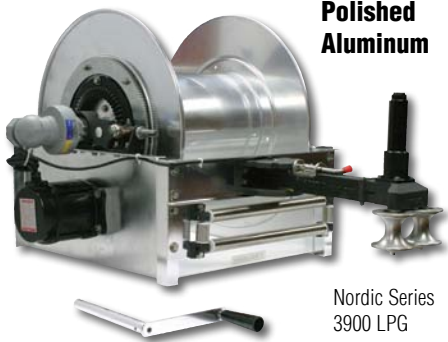
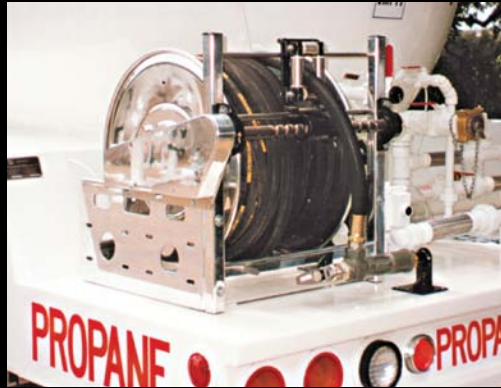


LPG Reels



**Polished
Aluminum**

Nordic Series
3900 LPG



**Steel
Constructed**

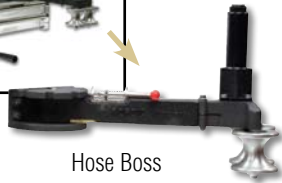
Nordic Series
3900 LPG

Liquid Propane Reels

Polished Aluminum

Nordic Series
3900 LPG

Inset: Nordic Series 3900
LPG with optional Hose Boss



Hose Boss



Optional bottom wind
three way hose roller
guide also available.

Aluminum Series 3900 LPG

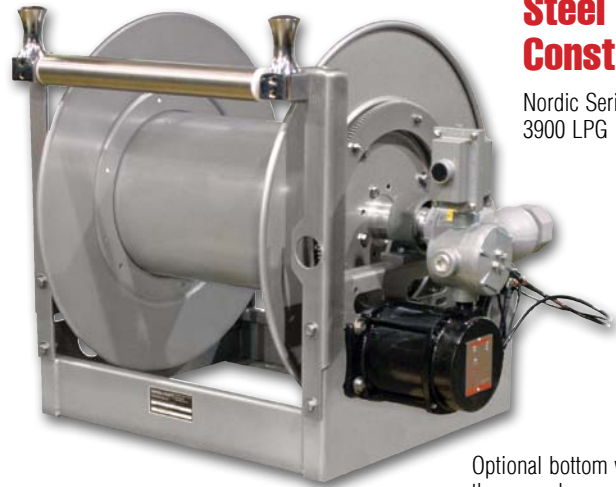
Rewind: Gear-drive or chain and sprocket drive powered by explosion proof A.C. or D.C. electric motor, compressed air motor or hydraulic motor.

- Full Circle® UL approved swivels.
- Shown with optional direct gear drive for maximum reliability and reduced downtime.
- Shown with Top Wind Three Way Hose Roller Guide (optional).
- The Hose Boss (optional) consists of a rewind switch mounted in an extended arm with two hose rollers. Assists in efficiently and safely unwinding and rewinding hose.
- Heavy duty aluminum construction is light-weight and corrosion resistant.

Steel Series 3900 LPG

Rewind: Gear-drive or chain and sprocket drive powered by explosion proof A.C. or D.C. electric motor, compressed air motor or hydraulic motor.

- Heavy gauge steel construction for maximum durability and long service life.
- Baked on powder coat finish is applied in component form for maximum coverage and corrosion resistance.
- Shown with optional direct gear drive for maximum reliability and reduced downtime. Heavy gauge ANSI #40 (1/2" pitch) chain drive is standard.
- Full Circle® UL approved swivels.
- Shown with optional top wind three way hose roller guide and explosion proof operating switch.



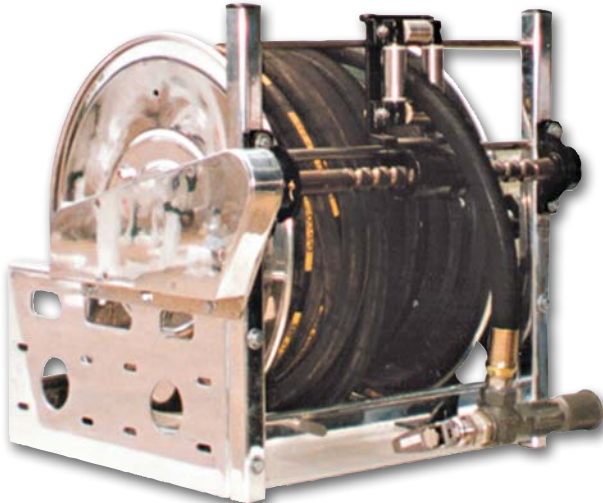
Steel Constructed

Nordic Series
3900 LPG

Optional bottom wind
three way hose roller
guide also available.

Level Rewind

Nordic Series
3900 LPG



Level Rewind Optional Accessory

The level rewind system assists the hose onto the drum by using a traversing guide. The level rewind system aids in proper storage and maintenance of the hose. Contact Reelcraft for all available LPG reel optional accessories.

NOTE: Hose and nozzle not included.

Liquid Propane Reels

Drive Options	Series	Head Dia.	Drum Length	Thread Size	Thread Type	Thread Style	Fluid Path Material	Pressure	Inlet Style	Fluid Path Location/Direction	Color Code
EP *12 VDC Exp	3900	19	6"-36" in 2" increments	10 1"	FF Female In/Out	NP NPT	A Aluminum D Ductile Iron S Stainless	LP 0-600	5 1" LPG 6 1 1/2" LPG	1 Left Hand Top Wind	R Red
EA *115 VAC Exp		21		12 1 1/4"						2 Left Hand Bottom Wind	B Black
EJ *24 VDC Exp		23		15 1 1/2"						3 Right Hand Top Wind	W White
HD Hydraulic		25		4 Right Hand Bottom Wind						G Grey	
AF 1 1/2 HP Air	28									S Silver	
AR 4 HP Air	31										
BC Bevel Crank	36										
HC Hand Crank	39										
*Exp=Explosion proof motor	46										
Material Options/Drive Size											
1/2" Pitch Chain	###5										
Gear Driven	###9										
Alum. Frame/Spool	##5#										

Additional options are available. **NOTE:** Not all options available in every combination. Please contact manufacturer for price and availability.

Part No. Example: EP3905-23-20-10FFNPALP51-G

Series 80000 / D80000 - 1/2", 3/4", 1" I.D. Hose

- Full Circle® UL approved swivels.
- Stainless or powder coated steel construction.
- Dual pedestal and guide arm support for structural strength.
- Two sealed ball bearings for smooth rotation on main shaft.



Series 80000
Carbon Steel
Hose not included



Series 80000
Stainless Steel
Hose not included

OPTIONS

Choose a reel model from the chart below, then use the suffix codes below to choose a flange/end plate material.

LP82000 OL

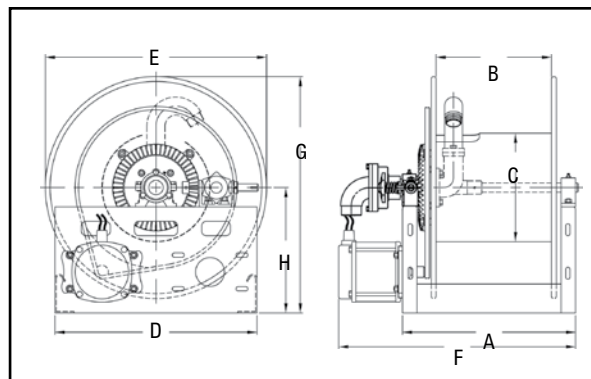
Flange/End Plate Material	
S	Stainless Steel
P	Carbon Steel

MODEL	HOSE I.D.	HOSE O.D.	CAPACITY	PRESSURE	WEIGHT
	in / mm	in / mm	ft / m	psi / bar	lbs / kg
SERIES 80000 / D80000: SPRING DRIVEN REELS					
LP82000 OL <input type="checkbox"/> *	1/2 13	.845 21	100 30	300 21	82 37
LP83000 OL <input type="checkbox"/> *	3/4 19	1.188 30	50 15	500 35	82 37
LPD83000 OL <input type="checkbox"/> *	3/4 19	1.188 30	75 23	500 35	77 35
LPD84000 OL <input type="checkbox"/> *	1 25	1.500 38	50 15	500 35	77 35

*Choose flange/end plate material from chart above.

HOSE I.D.	in	1	1 1/4	1 1/2	2
	mm	25	32	38	51
HOSE O.D.	in	1.563	1.813	2.063	2.563
	mm	46	46	52	65

Nordic Series 3900 Dimensions



MODEL	HOSE LENGTH				Est. Weight	A	B	C	D	E	F	G	H	
3905-19-20*	ft	75	70	55	103 LB	in	26	20	11.25	21	21	33	22.5	13
	m	23	21	17	47 KG	mm	660	508	286	533	533	838	572	330
3905-23-16*	ft	125	90	75	100 LB	in	22	16	11.25	21	23	29	24.5	13
	m	38	27	23	45 KG	mm	559	406	286	533	584	737	622	330
3905-23-20*	ft	160	125	100	105 LB	in	26	20	11.25	21	23	33	24.5	13
	m	49	38	30	48 KG	mm	660	508	286	533	584	838	622	330
3905-23-24*	ft	200	150	125	110 LB	in	30	24	11.25	21	23	37	24.5	13
	m	61	46	38	50 KG	mm	762	610	286	533	584	940	622	330
3905-25-14*	ft	150	100	65	102 LB	in	20	14	11.25	21	25	27	26.5	14
	m	46	30	20	46 KG	mm	508	356	286	533	635	686	673	356
3905-25-18*	ft	200	150	80	105 LB	in	24	18	11.25	21	25	31	26.5	14
	m	61	46	24	48 KG	mm	610	457	286	533	635	787	673	356
3905-23-26*	ft			90	112 LB	in	32	26	15	21	23	39	24.5	13
	m			27	51 LG	mm	813	660	381	533	584	991	622	330
3905-31-12*	ft			90	102 LB	in	18	12	15	24	31	25	32.5	17
	m			27	46 KG	mm	457	305	381	610	787	635	826	432
3905-31-22*	ft			185	115 LB	in	28	22	15	24	31	35	32.5	17
	m			56	52 KG	mm	711	559	381	610	787	889	826	432

*Choose options from chart above. **F dimension is for electric motor models only.

Rely on Reelcraft

Built Better to Perform Better

North America and Corporate Headquarters

2842 E. Business Hwy 30
Columbia City, IN 46725
Ph: 800-444-3134 • Fax: 800-444-4587
Ph: 260-248-8188 • Fax: 260-248-2605
reelcraft@reelcraft.com
www.reelcraft.com

Latin America and the Middle East

Thompson International, Inc.
P.O. Box 12958, Ft. Wayne, IN 46866
Ph: 260-489-1685 • Fax: 260-489-0203
info@t-i-i.com
www.reelcraft.com/latinamerica

China

Reelcraft Changzhou Co., Ltd.
Building C, No. 229 HeHai West Road
Changzhou, Jiangsu, China 213022
Ph: +86 (519) 8512 2391 ext. 8002
Fax: +86 (519) 8512 9309
rco@reelcraftchina.com
www.reelcraft.com/china

Europe

Unit 17 • Cronin Courtyard • Weldon South Industrial Estate
Corby • Northamptonshire • NN18 8AG United Kingdom
Ph: +44 (0) 1536 406999 • Fax: +44 (0) 1536 406777
europe@reelcraft.com
www.reelcraft.com/europe

Pacific Rim

P.O. Box 53776, Clark Freeport Zone, Philippines 2023
Ph: +63 (45) 625-6624 • Fax: +63 (45) 321-0643
rap@comclark.com
www.reelcraft.com/asia

Australia

PO Box 6463 BC, Blacktown • NSW 2148, Australia
Ph: +61 (2) 9621 8988 • Fax: +61 (2) 9621 7688
sales@recoila.com
www.reelcraft.com