

Mobile Equipment Reels



Wind Things Up With Reelcraft™

Reelcraft Industries is
ISO 9001:2000
Certified Since 1996

www.reelcraft.com

Why use hose reels?

Why use hose reels? Because they make hose handling more efficient and safer. Your hoses, cables and cords will last up to five times longer. You will improve hose management, which decreases labor costs. Your chances of injuries from tripping hazards will decrease, which saves

lost work time, medical bills and higher insurance. You also save the cost of replacing expensive hoses, cables and cords that get run over by fork lifts and other vehicles, which saves equipment costs. Here are the most compelling reasons to use hose, cord and cable reels.



Series 7000 Reels
Photo courtesy of Sage Oil Vac

5 reasons why hose reels add value



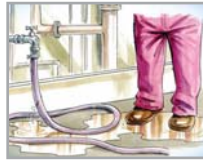
Improve Efficiency

Hose is where you want it, when you need it.



Increase Safety

Reduce up to 50% of tripping accidents.



Minimize Leakages

Reduce costs of air and water leakages.



Reduce Hose Wear

Hose on reels can last up to five times longer.

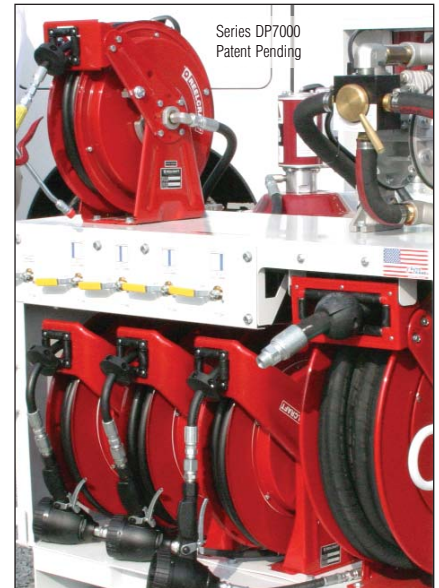


Better Environment

No more tangled hoses.

OSHA says reduce your slips, trips and falls

Slips, trips and falls constitute the majority of general industry accidents, which cause 15% of all accidental deaths, and are second only to motor vehicles as a cause of fatalities. The OSHA standards for walking and working surfaces apply to all permanent places of employment, except where only domestic, mining, or agricultural work is performed (www.osha.gov).



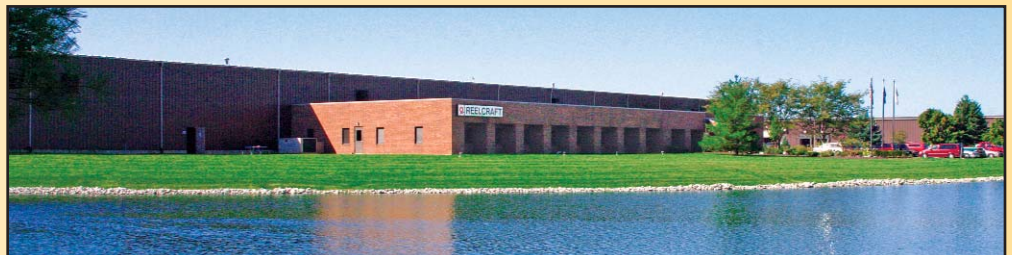
Series DP7000
Patent Pending

Two Year Limited Warranty

Reelcraft now offers a two year limited warranty. All products manufactured by Reelcraft Industries, Inc. are warranted to be free of defects due to faulty material or workmanship for 24 months from date of shipment, except hose. Normal wear and tear is not considered a defect in material or workmanship. Reelcraft's liability shall be limited to repair or replacement of defective material during the warranty period and will be at Reelcraft's discretion when returned pre-paid to its plant or authorized service depot. The warranty does not cover damage caused by accident, abuse, neglect or improper installation. Reelcraft products must be installed, maintained and operated in accordance to the recommendation of Reelcraft and the manual of instructions. Failure to use circuit breakers on electric motors, filter, lubricators on air motors and flexible inlet connections will void warranty. Equipment, products, components and hoses not manufactured by Reelcraft are subject to the original manufacturer's guarantee and warranties. Hoses carry a 6 month warranty as listed by the manufacturer. Reelcraft will assist in filing claims, but does not have any additional responsibility if original manufacturer denies warranty claim. Products built to customer specifications and requirements, Nordic series and series 40 or products incorporating variation from cataloged items are considered special and are not subject to cancellation or returnable for credit under any circumstances. Reelcraft reserves the right to modify or alter product, dimensions, design and construction to improve performance. **NOTE:** For complete warranty information, online warranty registration, service manuals, and return information please visit www.reelcraft.com.

Reelcraft's global offices serve:

- ✓ Europe/UK
- ✓ Canada
- ✓ China
- ✓ Asia/Philippines
- ✓ Central America
- ✓ South America
- ✓ Middle East



Located in Northeast Indiana since 1971, Reelcraft's global headquarters' office and manufacturing space is a state-of-the-art 130,000 square foot facility. Because we are centrally located in the US and offer a west coast warehouse, we can **quickly ship** our standard products the same day for domestic orders received by 11:30 am local time.

North America: **800-444-3134** Asia: **+63 (45) 625-6624**
Europe: **+44 (0) 1536 406999** Latin America: **260-489-1685**

www.reelcraft.com

Reelcraft Industries is
ISO 9001:2000
Certified Since 1996

Models listed with an icon can be shipped same day upon request when the order is received by 11:30 AM local time for quantities of 5 or fewer.



Indiana Warehouse



California Warehouse



Indiana & California Warehouses



Canadian Warehouse

HEAVY DUTY REEL

Series 7000



Fry's Napa AutoCare Center, Columbia City, IN



7850 OLP

Spring Driven Air/Water/Oil/Grease

Series 7000 - 1/4", 3/8", 1/2", 3/4" I.D.

Series 7000 is very robust and ideal for the most demanding applications. The reel's base and guide arms are formed from high-grade steel and engineered with structural forms and gussets to yield the greatest amount of strength. The standard low pressure hose is for air or water service only. The basic reel without hose can be used for air, water or oil. Consult Reelcraft for other products and hoses.

Made in USA



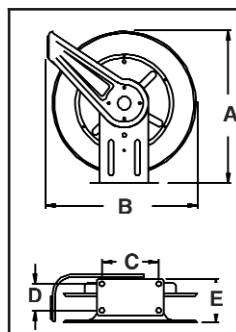
**INSET:
ENCLOSED MODEL**

7650 ELP

APPLICATIONS

- Industrial
- Automotive Service Centers
- Transmission Shops
- Fleet Maintenance Facilities
- Pneumatic Tools
- Aircraft Maintenance
- Tire Stores
- Agriculture
- Farm and Ranch
- Service Trucks
- Wash Down
- Air and Water

Series 7000 E reels are the same as 7000 O reels except **E Series reels are fully enclosed**. To order, change the model number suffix letter O to E. Example, 7650 OHP becomes 7650 EHP. Add 17 lbs. to open reel weight.



DIMENSIONS

	7000 O		7000 E	
	in	mm	in	mm
A	20 1/4	521	20 3/4	527
B	19	483	20 3/4	527
C	7 7/8	200	7 7/8	200
D	3 7/8	98	3 7/8	98
E	7	178	8	204

Four 1/2" (12.7mm) diameter mounting holes.

For all metric thread connections over 1/2" add the suffix number 70 to indicate BSPT threads - example 7900 OLP70.

MODELS WITH HOSE				HOSE CAPACITY					MODELS WITHOUT HOSE		
MODEL	WEIGHT	PRESSURE	I.D.	O.D.	(M)NPTF OUTLET	(F)NPTF INLET	LENGTH	MODEL	WEIGHT	PRESSURE	
	lbs / kg	psi / bar	in / mm	in / mm	in	in	ft / m		lbs / kg	psi / bar	
LOW PRESSURE AIR /WATER REELS* Maximum Temperature 150° F (65° C)											
7650 OLP	47 22	300 21	3/8 10	.688 18	1/4	1/2	50 15	7600 OLP	42 19	500 35	
7670 OLP	50 23	300 21	3/8 10	.688 18	1/4	1/2	70 22	7600 OLP	42 19	500 35	
7850 OLP	51 24	300 21	1/2 13	.844 22	3/8	1/2	50 15	7800 OLP	43 20	500 35	
7850 OLP121	51 24	300 21	1/2 13	.844 22	1/2	1/2	50 15	7800 OLP	43 20	500 35	
7925 OLP	49 22	250 17	3/4 19	1.188 31	3/4	3/4	25 8	7900 OLP	44 20	500 35	
F7925 OLP§	53 24	50 3.5	3/4 19	1.188 31	3/4	3/4	25 8	F7900 OLP	45 21	500 35	
MEDIUM PRESSURE OIL REELS** Maximum Temperature 210° F (99° C)											
7650 OMP	55 25	2250 158	3/8 10	.690 18	1/2	1/2	50 15	7600 OMP	45 21	3000 207	
7850 OMP	57 26	2000 141	1/2 13	.815 21	1/2	1/2	50 15	7800 OMP	42 19	3000 207	
HIGH PRESSURE GREASE REELS*** Maximum Temperature 210° F (99° C)											
7450 OHP	57 26	5000 345	1/4 6	.590 17	1/4	1/2	50 15	7400 OHP	43 20	5000 345	
7650 OHP	60 27	4000 276	3/8 10	.750 19	1/4	1/2	50 15	7600 OHP	46 21	5000 345	

*Low pressure reels furnished standard with PVC hose. **Medium pressure reels furnished standard with S.A.E. 100 R1T one wire braid hose.

***High pressure reels furnished standard with S.A.E. 100 R2T Two wire braid hose, suitable for grease or hydraulic oil applications only.

§ Series F7925 OLP supplied with fuel grade hose and UL330 and UCL approved hose with a 250 psi (17 bar) minimum burst.

North America: **800-444-3134** Asia: **+63 (45) 625-6624**
 Europe: **+44 (0) 1536 406999** Latin America: **260-489-1685**
www.reelcraft.com



Wind Things Up With Reelcraft™

NEW!



DP7850 OLP
Patent Pending

Meets or Exceeds
Military Vibration for
Truck Transport test.

MIL-STD-810F
500,000 mile
equivalent

Made in USA

DIMENSIONS		
MODEL	A	B
	in / mm	in / mm
LOW PRESSURE REELS		
DP7450 OLP	4 102	8 204
DP7650 OLP	4 102	8 204
DP7850 OLP	5 127	9 229
MEDIUM PRESSURE REELS		
DP7650 OMP	4 102	8 204
DP7850 OMP	5 127	9 229
HIGH PRESSURE REELS		
DP7450 OHP	4 102	8 204
DP7650 OHP	4 102	8 204

Spring Driven Air/Water/Oil/Grease Series DP7000 - 1/4", 3/8", 1/2" I.D.

Reelcraft's new DP7000 Series features a two-piece, non-welded, interlocking base that won't vibrate apart. Independent testing to military standards has proven DP7000 reels stand up to heavy vibration, making them ideal for truck mounted applications. Superbly engineered and compact, our patent-pending, interlocking steel-formed and stamped base design makes the base assembly especially strong, compact and resistant to vibration.

FEATURES

- ✓ **Strength and Stability** Interlocking dual base and guide arms are stamped from heavy gauge industrial steel and engineered gussets throughout make these reels strong and vibration-resistant.
- ✓ **Lighter weight** Latch pawl, cam, and hubs are die-cast aluminum for superior strength and to eliminate excessive weight.
- ✓ **Superior Corrosion-Resistance** A double adhesive gasket seals the spring case and steel parts are powder coated to provide excellent protection against weathering.
- ✓ **Low Maintenance** A permanent oil impregnated bronze bushing and stainless steel torsion spring are incorporated to ensure that, through frequent use, these reels require minimal maintenance.
- ✓ **Ease of Operation** The latch pawl is mounted on the guide arm to prevent latch out at full extension and the high impact, nylon-filled guide rollers make retraction and pay out nearly effortless.

MODELS WITH HOSE			HOSE CAPACITY					MODELS WITHOUT HOSE		
MODEL	WEIGHT	PRESSURE	I.D.	O.D.	(M)NPTF OUTLET	(F)NPTF INLET	LENGTH	MODEL	WEIGHT	PRESSURE
	lbs / kg	psi / bar							in / mm	in / mm
LOW PRESSURE AIR/WATER REELS Maximum Temperature 150° F (65° C) w/hose / 210° F (99° C) w/o hose										
DP7450 OLP	46 21	300 21	1/4 6	.500 13	1/4	1/2	50 15	DP7400 OLP	42 19	500 35
DP7650 OLP	47 22	300 21	3/8 10	.688 18	1/4	1/2	50 15	DP7600 OLP	42 19	500 35
DP7850 OLP	50 23	300 21	1/2 13	.844 22	3/8	1/2	50 15	DP7800 OLP	43 20	500 35
MEDIUM PRESSURE OIL REELS Maximum Temperature 210° F (99° C)										
DP7650 OMP	55 25	2250 158	3/8 10	.690 18	3/8	1/2	50 15	DP7600 OMP	45 21	3000 207
DP7850 OMP	57 26	2000 141	1/2 13	.815 21	1/2	1/2	50 15	DP7800 OMP	42 19	3000 207
HIGH PRESSURE GREASE REELS Maximum Temperature 210° F (99° C)										
DP7450 OHP	57 26	5000 345	1/4 6	.590 17	1/4	1/2	50 15	DP7400 OHP	43 20	5000 345
DP7650 OHP	60 27	4000 276	3/8 10	.750 19	1/4	1/2	50 15	DP7600 OHP	46 21	5000 345

North America: 800-444-3134 Asia: +63 (45) 625-6624
Europe: +44 (0) 1536 406999 Latin America: 260-489-1685

www.reelcraft.com

Reelcraft Industries is
ISO 9001:2000
Certified Since 1996

Models listed with an icon can be shipped same day upon request when the order is received by 11:30 AM local time for quantities of 5 or fewer.



Indiana Warehouse



California Warehouse



Indiana & California
Warehouses



Canadian Warehouse

MOBILE BASE REELS

Series D8000/E8000

Spring Driven Air/Water/Oil/Grease

Series D8000/E8000 - 1/4", 3/8", 1/2" I.D.

The aluminum cast base and arm of the Series D8000/E8000 offer the highest rigidity among this class of hose reels. The quality and reliability the professional expects in the tools and equipment they invest in is met and exceeded by Reelcraft products. The Series E8000 extreme condition models include a heavy gasketed seal on the main shaft and the drive spring for protection from the elements.

FEATURES

- ✓ Aluminum guide arm and base are cast from 40,000 P.S.I. tensile strength material with 7% elongation which assures ultimate shock resistance. Cast aluminum frame gives maximum strength with minimum payload weight.
- ✓ A special heavy, double adhesive sided spring case gasket protects the main spring from damage (failure) caused by water, dirt or other foreign matter entering the spring case.
- ✓ Guide arm is field adjustable for floor, wall, ceiling, pit and truck mounting.
- ✓ Full flow shaft and swivel.
- ✓ Reel springs are manufactured from the highest quality scale less blue tempered steel.
- ✓ Each component is coated individually with a durable baked-on powder coat finish. This provides an excellent high quality ultra violet radiation (sunlight) weather and chip resistant finish that will stay bright through years of use.



D8650 OLP



INSET:
ENCLOSED MODEL

D8650 ELP

Made in USA

	DIMENSIONS			
	D/E8000 O		D/E8000 E	
	in	mm	in	mm
A	21 ¹ / ₄	540	21 ⁷ / ₈	556
B	19	483	20 ⁷ / ₈	530
C	7 ³ / ₄	197	7 ³ / ₄	197
D	3 ³ / ₄	96	3 ³ / ₄	96
E	9 ¹ / ₄	235	10 ¹ / ₂	267

Inlet is 1/2". Outlet is 1/2". Four 1/2" (12.7mm) diameter mounting holes.

Series D/E8000 E reels are the same as D/E8000 O reels except **E Series reels are fully enclosed**. To order, change the model number suffix letter O to E. Example, D8650 OHP becomes D8650 EHP. Add 17 pounds to open reel weight.

MODELS WITH HOSE			HOSE CAPACITY					MODELS WITHOUT HOSE					
MODEL	WEIGHT		PRESSURE		I.D.	O.D.	(M)NPTF OUTLET	(F)NPTF INLET	LENGTH	MODEL	WEIGHT		PRESSURE
	lbs / kg	psi / bar	in / mm	in / mm							in	in	
LOW PRESSURE AIR/WATER REELS			Maximum Temperature 150° F (65° C) w/hose / 210° F (99° C) w/o hose										
D8650 OLP	48 22	300 21	3/8 10	.688 18	1/4	1/2	50 15	D8600 OLP	40 19	500 35			
D8670 OLP	52 24	300 21	3/8 10	.688 18	1/4	1/2	70 21	D8600 OLP	40 19	500 35			
D8850 OLP	52 24	300 21	1/2 13	.844 22	3/8	1/2	50 15	D8800 OLP	41 19	500 35			
E8850 OLP*	69 31	300 21	1/2 13	.844 22	3/8	1/2	50 15	E8800 OLP	58 26	500 35			
MEDIUM PRESSURE OIL REELS			Maximum Temperature 210° F (99° C)										
D8650 OMP	53 25	2250 155	3/8 10	.690 21	1/2	1/2	50 15	D8600 OMP	41 19	3000 207			
D8840 OMP	53 25	2000 138	1/2 13	.815 21	1/2	1/2	40 13	D8800 OMP	41 19	3000 207			
D8850 OMP	56 26	2000 138	1/2 13	.815 21	1/2	1/2	50 15	D8800 OMP	41 19	3000 207			
E8850 OMP*	73 33	2000 138	1/2 13	.815 21	1/2	1/2	50 15	E8800 OMP	58 26	3000 207			
HIGH PRESSURE GREASE REELS			Maximum Temperature 210° F (99° C)										
D8450 OHP	54 25	5000 345	1/4 6	.593 15	1/4	1/2	50 15	D8400 OHP	41 19	5000 345			
D8650 OHP	60 28	4000 276	3/8 10	.750 19	1/4	1/2	50 15	D8600 OHP	41 19	5000 345			
E8650 OHP*	74 34	4000 276	3/8 10	.750 19	1/4	1/2	50 15	E8600 OHP	58 26	5000 345			

*Series E8000 models are for lubrication trucks. Low pressure reels furnished standard with PVC hose. Medium pressure reels are furnished standard with S.A.E. 100 R1T one wire braid hose. High pressure reels furnished standard with SAE 100R2T two wire braid hose, suitable for grease applications only.

North America: **800-444-3134** Asia: **+63 (45) 625-6624**
 Europe: **+44 (0) 1536 406999** Latin America: **260-489-1685**
www.reelcraft.com

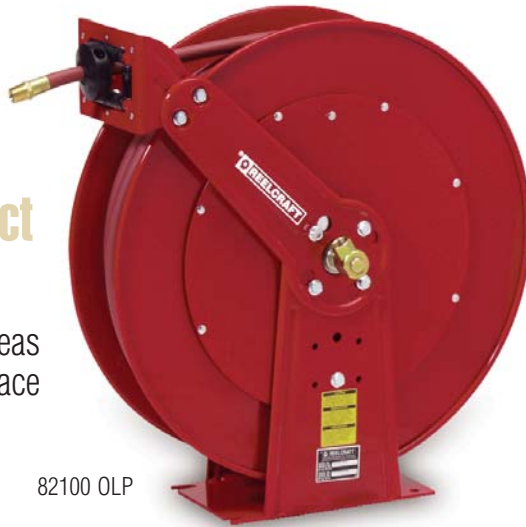


REELCRAFT

Wind Things Up With Reelcraft™

Compact Base

Fits in areas where space is limited



82100 OLP

Made in USA

DIMENSIONS	D80000		80000	
	hose	in / mm	in / mm	in / mm
A	24	610	24	610
B	25 ³ / ₈	645	25 ³ / ₈	645
C	11 ³ / ₈	289	8 ⁵ / ₁₆	211
D	3/4" 1"	14 ¹ / ₄ 15 ¹ / ₄	362 387	10 ¹ / ₂ 267
E	10 ¹ / ₂	267	10	254
F	7 ⁷ / ₈	199	6	152

Inlet is 1/2" or 3/4" NPTF (F) or 3/4" BSPT. Reel outlet is 1/2" or 3/4" NPTF (F) or 3/4" BSPT. Four 1/2" (12.7mm) diameter mounting holes

Spring Driven Air/Water/Oil/Grease Series 80000 & D80000 - 3/8", 1/2", 3/4", 1" I.D.

Reelcraft's Series 80000 and D80000 spring retractable reels incorporate the most current design and manufacturing techniques to guarantee long life and trouble-free performance. All-steel construction and a baked-on powder coat finish combine to produce a rugged corrosion resistant product suitable for a wide variety of heavy duty applications. Series D80000 reels are also supplied with Reelcraft's new ball-bearing style swivel.

FEATURES

- ✓ Hose anti-latch out feature ensures hose retracts every time.
- ✓ Guide arm is field adjustable for wall, ceiling, or truck mounting positions.
- ✓ Dual pedestal base and guide arm design, structurally reinforced.
- ✓ Five-in-one heat treated aluminium casting incorporates main shaft, ratchet, spring arbor and inlet/outlet plumbing in one piece casting.
- ✓ Containerized spring assembly. Provides safe and easy handling during maintenance.
- ✓ Two sealed ball bearings for smooth rotation of main shaft.

MODELS WITH HOSE			HOSE CAPACITY					MODELS WITHOUT HOSE		
MODEL	WEIGHT	PRESSURE	I.D.	O.D.	(M)NPTF OUTLET	(F)NPTF INLET	LENGTH	MODEL	WEIGHT	PRESSURE
	lbs / kg	psi / bar							in / mm	in / mm
LOW PRESSURE AIR/WATER REELS			Maximum Temperature 150° F (65° C) w/hose / 210° F (99° C) w/o hose							
81100 OLP	92 42	300 21	3/8 10	.688 18	3/8	1/2	100 31	81000 OLP	77 35	500 35
82075 OLP	95 43	300 21	1/2 13	.845 22	1/2	1/2	75 23	82000 OLP	82 37	500 35
82100 OLP	101 46	300 21	1/2 13	.845 22	1/2	1/2	100 31	82000 OLP	82 37	500 35
83050 OLP	88 40	250 17	3/4 19	1.188 31	3/4	3/4	50 15	83000 OLP	74 34	500 35
+F83050 OLP*	89 41	50 3.5	3/4 19	1.188 31	3/4	3/4	50 15	F83000 OLP	74 34	500 35
D83075 OLP	112 51	250 17	3/4 19	1.188 31	3/4	3/4	75 23	D83000 OLP	89 40	500 35
D84050 OLP	110 50	250 17	1 25	1.500 38	1	1	50 15	D84000 OLP	77 35	500 35
MEDIUM PRESSURE OIL REELS			Maximum Temperature 210° F (99° C)							
82075 OMP	101 45	2000 138	1/2 13	.815 21	1/2	1/2	75 23	82000 OMP	79 35	2000 138
83050 OMP	96 43	1250 86	3/4 19	1.188 31	3/4	3/4	50 15	83000 OMP	77 35	1500 103
HIGH PRESSURE GREASE REELS			Maximum Temperature 210° F (99° C)							
81075 OHP	88 39	4000 275	3/8 10	.640 16	3/8	1/2	75 23	81000 OHP	92 42	5000 345
81100 OHP	127 58	4000 275	3/8 10	.640 16	3/8	1/2	100 31	81000 OHP	92 42	5000 345

+UL330 and ULC approved hose. 250 psi minimum burst. (17 Bar) / For all metric thread connections over 1/2" add the suffix number -70 to indicate BSPT threads - example 83050-OLP70.
Low pressure reels furnished standard with PVC hose. Medium pressure reels are furnished standard with S.A.E. 100 R1T one wire braid hose. Modification - Reels without hose can be modified to handle gasoline and diesel fuel, to order place prefix "F" before model number (F83000 OLP). *Model F83050 OLP equipped with fuel grade hose. High pressure reels furnished standard with SAE 100R2T two wire braid hose, suitable for grease applications, only.

North America: **800-444-3134** Asia: **+63 (45) 625-6624**
 Europe: **+44 (0) 1536 406999** Latin America: **260-489-1685**
www.reelcraft.com

Reelcraft Industries is
ISO 9001:2000
 Certified Since 1996

Models listed with an icon can be shipped same day upon request when the order is received by 11:30 AM local time for quantities of 5 or fewer.



Indiana Warehouse



California Warehouse



Indiana & California
Warehouses



Canadian Warehouse

MOBILE BASE REELS

Series E9000

Spring Driven Air/Water/Oil/Grease

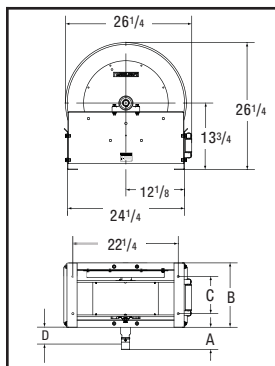
Series E9000 - 1/2", 3/4", 1", 1 1/4", 1 1/2" I.D.

These mobile base reels offer the greatest amount of stability for high volume air, water, fuel and petroleum. Ideal for portable service trucks, permanent service or plant work areas. A durable baked-on powder coat finish produces a rugged corrosion resistant product suitable for a wide variety of heavy duty applications. Basic reels without hose will handle air, water or oil; consult Reelcraft for other applications.

Made in USA



E9350 OLPBW



DIMENSIONS										
	E9000		FE9000		FF9000		D9000		D9399 D9305	
	in	mm	in	mm	in	mm	in	mm	in	mm
A	3 3/4	95.3	7	178	7 3/4	197	7 3/4	197	7 3/4	197
B	12	305	12	305	17 4/5	451	12	305	13 3/10	337
C	7 3/4	197	7 3/4	197	13 1/2	343	7 3/4	197	7 3/4	197
D	2 3/4	69.9	7 1/2	191	7 1/2	191	7 1/2	191	7 1/2	191

Four 7/16" (11.2mm) diameter mounting holes.

Hose Guide Roller Position



A suffix code (see diagram) must be added after the model # to specify desired position. Reels are shipped in the BW position unless specified otherwise. FF 95/9600 in BW only.

NOTE: All E9000 reels are shipped in the **BW** position unless otherwise specified.

MODELS WITH HOSE				HOSE CAPACITY				MODELS WITHOUT HOSE			
MODEL	WEIGHT	PRESSURE	I.D.	O.D.	(M)NPTF OUTLET	(F)NPTF INLET	LENGTH	MODEL	WEIGHT	PRESSURE	
	lbs / kg	psi / bar	in / mm	in / mm	in	in	ft / m		lbs / kg	psi / bar	
LOW PRESSURE AIR/WATER REELS Maximum Temperature 150° F (65° C)											
E9299 OLP	127 58	300 21	1/2 13	.844 22	1/2	1/2	100 31	E9200 OLP	115 52	500 35	
E9350 OLP	140 64	250 18	3/4 19	1.188 31	3/4	3/4	50 15	E9300 OLP	115 52	500 35	
FE9350 OLP*	140 64	50 3.5	3/4 19	1.188 31	3/4	3/4	50 15	FE9300 OLP	115 52	500 35	
E9375 OLP	152 69	250 18	3/4 19	1.188 31	3/4	3/4	75 23	E9300 OLP	115 52	500 35	
D9399 OLPBW	143 65	250 18	3/4 19	1.188 31	3/4	3/4	100 31	D9305 OLPBW	113 51	500 35	
E9450 OLP	157 72	250 18	1 25	1.500 31	3/4	1	50 15	E9400 OLP	115 52	500 35	
MEDIUM PRESSURE OIL REELS Maximum Temperature 210° F (99° C)											
E9275 OMP	131 60	2000 138	1/2 13	.815 22	1/2	1/2	75 23	E9200 OMP	117 52	3000 207	
E9350 OMP	142 65	1250 86	3/4 19	1.188 31	3/4	3/4	50 15	E9300 OMP	117 52	3000 207	
HIGH PRESSURE GREASE REELS Maximum Temperature 210° F (99° C)											
E9175 OHP	153 70	4000 276	3/8 10	.750 22	1/2	3/8	75 23	E9100 OHP	118 54	5000 345	

*Models equipped with fuel grade hose. UL330 and VLC approved hose. 250 PSI minimum burst (17 Bar). Low pressure reels furnished standard with PVC hose. Medium pressure reels are furnished standard with S.A.E. 100 R1T one wire braid hose. High pressure reels furnished standard with SAE 100R2T two wire braid hose suitable for grease applications only. For all metric thread connections over 1/2" add the suffix number 70 to indicate BSPT threads - example E9300 OLP70. FF9500 and FF9600 models will have BSPP threads. **Note: To specify our lighter duty model, change prefix from E to D. Not available on FE9500 or FE9600. Modification** - Reels without hose can be modified to handle gasoline and diesel fuel, to order place prefix "F" before model number - example (FF9300 OLP).

North America: **800-444-3134** Asia: **+63 (45) 625-6624**
 Europe: **+44 (0) 1536 406999** Latin America: **260-489-1685**
www.reelcraft.com



Wind Things Up With Reelcraft™

Safe-T-Reel™ Series Up to 150' fuel gas Up to 200' 12/3 cable

Ideal for applications where space, weight and flexibility are key, these reels are designed for manual winding of air/water/fuel gases hose, electric cord and welding cable. Versatile in function, select configurations to suit specific needs. Safe-T-Reels™ offer trouble-free management of large capacities of hose or cord.



T-2462-0

Dual Spool
Side-by-side combinations

Dual Spool

Stacked combinations



T-2464-0

Single Spool

SINGLE SPOOL REELS								
MODEL	AMP	REEL CAPACITY		WEIGHT	CABLE	A	B	E
		ft / in	lbs / kg					
SINGLE WELDING CABLE 600 V								
T-1460-0 CA	300	200 60	22 10	-----	19 483	18 457	16 1/4 413	
SINGLE POWER CABLE - 3 CONDUCTOR								
T-1535-003	35	200 60	22 10	8 / 3	19 483	18 457	15 3/4 400	
T-1535-083-100*	33	100 30	50 23	8 / 3	19 483	18 457	15 3/4 400	
T-1535-103-200*	24	200 60	81 37	10 / 3	19 483	18 457	15 3/4 400	
T-1535-123-100*	25	100 30	46 21	12 / 3	19 483	18 457	15 3/4 400	
T-1535-123-200*	20	200 60	71 32	12 / 3	19 483	18 457	15 3/4 400	

*Includes cable



T-1225-04-100T

Hose and cable not included.

Made in USA

Detail of our heavy duty shaft with tapered roller bearing for high rigidity



Shaft sizes are 1 to 1.25" in diameter, supported by tapered roller bearings with 2 to 2.3" housings.

DUAL SPOOL REELS							
MODEL	AMP	REEL CAPACITY		WEIGHT	A	B	E
		ft / m	lbs / kg				
DUAL SIDE-BY-SIDE WELDING CABLE (2) 600 V							
T-2462-0 CS	300	200 60	50 23	19 483	18 457	29 737	
DUAL STACKED WELDING CABLE (2) 600 V							
T-2464-0 CS	300	200 60	59 28	38 965	18 457	16 1/4 413	
DUAL SIDE-BY-SIDE POWER CABLE / AIR HOSE							
T-2735-2-0*	35	200' / 150'	39 1/2 18	19 483	18 457	29 737	

*Air hose side has 1/2" (12.7mm) inlet

SINGLE SPOOL REELS										
MODEL	HOSE I.D.		HOSE O.D.		CAPACITY	WEIGHT	PRESSURE	A	B	E
	in / mm	in / mm	in / mm	in / mm						
SINGLE AIR/WATER Maximum temperature 150° F (65° C)										
T-1115-08	1/2 13	.844 22	150 45	17 1/2 8	300 21	19 483	18 457	15 3/4 400		
T-1116-08	1/2 13	.844 22	250 76	17 1/2 8	300 21	19 483	18 457	21 3/4 552		
T-1117-12	3/4 19	1.188 31	50 15	22 10	250 18	19 483	18 457	15 3/4 400		
T-1118-12	3/4 19	1.188 31	75 23	22 10	250 18	19 483	18 457	21 3/4 552		
SINGLE OXYGEN-ACETYLENE T-GRADE SEALS Maximum temperature 150° F (65° C)										
T-1225-04 CA	1/4 6	.530 14	150 45	19 9	200 14	19 483	18 457	16 1/8 410		
T-1225-04-100T	1/4 6	.530 14	100 30	44 20	200 14	19 483	18 457	16 1/8 410		
T-1226-06	3/8 10	.625 16	100 30	19 9	200 14	19 483	18 457	16 1/8 410		

DIMENSIONS		
MODEL	C	D
	inches	
T-1115 / T-1117	6	6 1/2
T-1225 / T-1226	6	6 1/2
T-1460 / T-1535	6	6 1/2
T-1116 / T-1118	6	12 1/2
T-2462	6	6 1/2
T-2735	6	6 1/2
T-2464	6	6 1/2

All reels have four 1/2" (13 mm) diameter mounting holes

Caution: Compressed air hoses should not be converted to oxygen service. Compressed air hoses are often contaminated with an oil coating, which can react explosively when oxygen is introduced. Oxygen/Acetylene cannot be combined with welding cable or power cord. **Note:** Models listed are without hose and/or cable. Weights listed above are actual product weight without packaging materials. Safe-T-Reels™ are available with cable or hose and in various combinations. Please consult Reelcraft customer service for additional information.

North America: **800-444-3134** Asia: **+63 (45) 625-6624**
 Europe: **+44 (0) 1536 406999** Latin America: **260-489-1685**
www.reelcraft.com

Reelcraft Industries is
ISO 9001:2000
 Certified Since 1996

Models listed with an icon can be shipped same day upon request when the order is received by 11:30 AM local time for quantities of 5 or fewer.

IN Indiana Warehouse **CA** California Warehouse
CS Indiana & California Warehouses **CA** Canadian Warehouse

FUEL & STATIC DISCHARGE REELS Series F & G

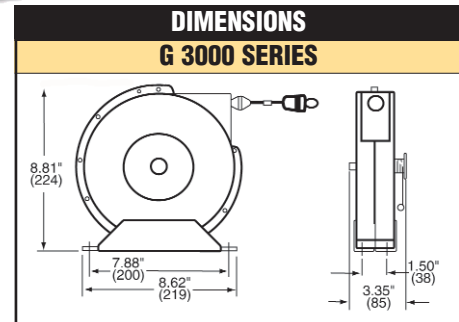
Spring Driven Static Discharge Reels Series G 3000

Static discharge reels are used to ground equipment operating in hazardous atmospheres, such as fuel trucks or carts transferring flammable materials. When properly clamped to ground, the static discharge reel dissipates static electrical buildup, reducing the chances of sparking and the potential for explosion.



SPECIFICATIONS Includes cable installed on reel					
MODEL	CABLE EXTENDED		Y	CABLE NOTES	WEIGHT
	ft / m	ft / m			
G 3050*	50	15	N/A	Single 7 x 7 stranded steel	12 5.5
G 3050 Y*	50	15	2 @ 15' (4.8)	35' (9.2m) plus dual 15' (4.6m) for 'Y' Total extension 50' (15m)	12 5.5
G 3050 N**	50	15	N/A	Nylon covered cable	12 5.5
GA3100 N**	100	30	N/A	Hi-vis orange nylon covered cable	22 10

*Static discharge reels are supplied complete with 3/32" OD steel aircraft cable. DC resistance is approximately one ohm per 50' of steel cable. ** Nylon covered cable (1/8" O.D.). **NOTE:** Dimensions for GA3100 N are 9.25" x 4.31" x 9 3/4" (LxWxH). Four 3/8" (10mm) diameter mounting holes.



Spring Driven Fuel Reels Series F7000, FE9000, FD9000, FF9000, F80000 & FD80000 3/4", 1", 1 1/4", 1 1/2" I.D.

Reelcraft's fuel spring retractable reels, equipped with Viton® seals, are ideal for delivering fuel. The reels incorporate metal forms to insure the greatest possible strength and function equally well in both mobile and permanent mount applications. These rugged, corrosion-resistant reels are suitable for a wide variety of applications.



MODELS WITH HOSE			HOSE CAPACITY						MODELS WITHOUT HOSE		
MODEL	WEIGHT	PRESSURE	I.D.	O.D.		(M)NPTF	(F)NPTF	LENGTH	MODEL	WEIGHT	PRESSURE
				in / mm	in / mm	OUTLET	INLET				
LOW PRESSURE FUEL REELS Maximum Temperature 150° F (65° C) w/hose / 210° F (99° C) w/o hose											
F7925 OLP*	53 24	*50 3.5	3/4 19	1.188 31	3/4 3/4	25 8	F7900 OLP	45 21	500 35		
F83050 OLP*	89 41	*50 3.5	3/4 19	1.188 31	3/4 3/4	50 15	F83000 OLP	74 33	500 35		
FD83075 OLP*	130 58	*50 3.5	3/4 19	1.188 31	3/4 3/4	75 23	FD83000 OLP	77 34	500 35		
FD84050 OLP*	120 54	*50 3.5	1 25	1.500 38	1 1	50 15	FD84000 OLP	78 35	500 35		
FE9350 OLP*	140 64	*50 3.5	3/4 19	1.188 31	3/4 3/4	50 15	FE9300 OLP	115 53	500 35		
FE9450 OLP*	157 72	*50 3.5	1 25	1.500 38	1 1	50 15	FE9400 OLP	115 53	500 35		
FD9350 OLP*	140 64	*50 3.5	3/4 19	1.188 31	3/4 3/4	50 15	FD9300 OLP	115 53	500 35		
FD9450 OLP*	157 72	*50 3.5	1 25	1.500 38	1 1	50 15	FD9400 OLP	115 53	500 35		
Models not available with hose			1 1/4 32	1.750 45	1 1/4 1 1/4	50 15	FF9500 OLPBW	125 57	300 21		
			1 1/2 39	2.000 51	1 1/2 1 1/2	50 15	FF9600 OLPBW	125 57	300 21		

* Models equipped with fuel grade hose. UL330 and ULC approved hose. 250 PSI minimum burst (17 Bar)
For all metric thread connections 1" and under add the suffix number -70 to indicate BSPT threads - example FD80000-OLP70. For all metric threads above 1" add -70 for BSPP threads.

NOTE: See page 3 for Series F7000 dimensions, page 6 for F/FD80000 dimensions and page 7 for FE/FD/FF9000 dimensions.



Wind Things Up With Reelcraft™

Nordic™ Series 2400

1/2", 3/4" or 1" Fluid Path for 1/2" through 1" I.D. Hose

REWIND: **NEW** Gear-drive rewind or chain and sprocket drive powered by A.C. or D.C. electric motor, compressed air motor or hydraulic motor.

INLET: 1/2" up to 1" female/male NPT 90° swivel joint. Straight swivel joint may be specified at extra cost.

GOOSENECK: 1/2" up to 1" female/male NPT. Other sizes and/or threads, including male NST and male garden hose thread, can be furnished when specified.

Product temperatures from -20° to +225°F and standard pressures to 1000 p.s.i. Reels to operate at other temperatures or pressures can be furnished at extra cost. Consult manufacturer.

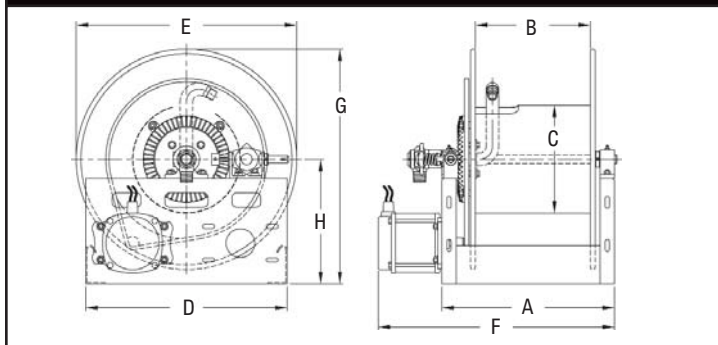
**1/2" Pitch Chain
Now Standard!**



Series 2400
Shown with optional
bevel crank.

Made in USA

DIMENSIONS DIAGRAM



The standard color for this series is red or gray.
ADD 12" to E dimension when crank is in rewind position.

Note: Weights shown in chart are for crank rewind models.	Prefix	Type	LB / KG
	EP	Electric	42 / 19
Add these amounts and model number prefix for power rewind models.	A	Air	26 / 12
	H	Hyd	26 / 12

HOSE I.D.	in mm	1/2 13	3/4 19	1 25	SPECIFICATIONS - HOSE CAPACITY AND REEL DIMENSIONS																								
					HOSE O.D.	in mm	7/8 22	1 9/32 33	1 9/16 40	MODEL	HOSE LENGTH				EST. WEIGHT	A	B	C	D	E CRK	E ELC	E AIR	E HYD	F CRK	F ELC	F AIR	F HYD	G	H
2400-19-16	ft	200	100	50	70 LB	in	21	16	11.25	21	21	21	22	21	26	29	26	28	22.5	13									
	m	61	30	15	31 KG	mm	533	406	286	533	533	533	559	533	660	737	660	711	572	330									
2400-23-14	ft	315	150	100	74 LB	in	20	14	11.25	21	23	23	24	23	24	27	24	26	24.5	13									
	m	96	46	30	34 KG	mm	508	356	286	533	584	584	610	584	610	686	610	660	622	330									
2400-23-18	ft	485	240	150	78 LB	in	24	18	11.25	21	23	23	24	23	28	31	28	30	24.5	13									
	m	148	73	46	35 KG	mm	610	457	286	533	584	584	610	584	711	787	711	762	622	330									
2400-23-20	ft	535	260	165	80 LB	in	26	20	11.25	21	23	23	24	23	30	33	30	32	24.5	13									
	m	163	79	50	36 KG	mm	660	508	286	533	584	584	610	584	762	838	762	813	622	330									
2400-23-24	ft	625	300	200	84 LB	in	30	24	11.25	21	23	23	24	23	34	37	34	36	24.5	13									
	m	191	91	61	38 KG	mm	762	610	286	533	584	584	610	584	864	940	864	914	622	330									
2400-25-8	ft	235	125	60	72 LB	in	14	8	11.25	21	25	25	25	25	18	21	18	20	26.5	14									
	m	72	38	18	33 KG	mm	356	203	286	533	635	635	635	635	457	533	457	508	673	356									
2400-25-14	ft	450	225	110	74 LB	in	20	14	11.25	21	25	25	25	25	24	27	24	26	26.5	14									
	m	137	69	34	34 KG	mm	508	356	286	533	635	635	635	635	610	686	610	660	673	356									
2400-31-8	ft	435	185	125	74 LB	in	14	8	11.25	24	31	31	31	31	18	21	18	20	32.5	17									
	m	133	56	38	34 KG	mm	356	203	286	610	787	787	787	787	457	533	457	508	826	432									
2400-31-10	ft	540	235	165	76 LB	in	16	10	11.25	24	31	31	31	31	20	23	20	22	32.5	17									
	m	165	72	50	35 KG	mm	406	254	286	610	787	787	787	787	508	584	508	559	826	432									
2400-31-16	ft	900	400	300	80 LB	in	22	16	11.25	24	31	31	31	31	26	29	26	28	32.5	17									
	m	274	122	91	36 KG	mm	559	406	286	610	787	787	787	787	660	737	660	711	826	432									

LARGE FRAME REELS

Nordic Series 3900

Nordic™ Series 3900

1½" Fluid Path for 1" through 1½" I.D. Hose

REWIND: **NEW** Gear-drive rewind or chain and sprocket drive powered by A.C. or D.C. electric motor, compressed air motor or hydraulic motor.

INLET: 2" straight victaulic with 1½" female NPT straight swivel joint is standard. 2" victaulic 90° with 1½" NPT female available at extra cost.

GOOSENECK: 1", 1¼" and 1½" female/male NPT outlet. Other sizes and/or threads can be furnished and must be specified.

ADD 12" to E dimension when crank is in rewind position.
The standard color for this series is red or gray.

**1/2" Pitch Chain
Now Standard!**



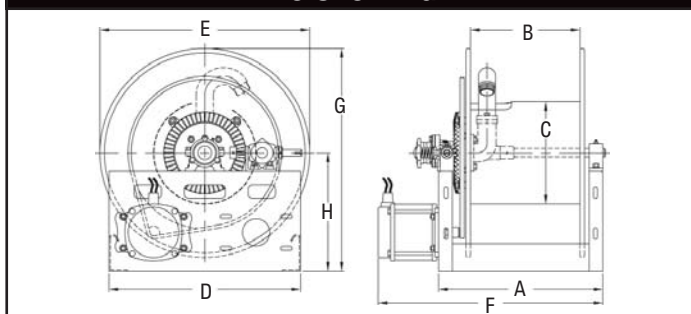
Shown with optional bevel crank.

Series 3900

Standard seals maximum temperature 174° F (79° C) and minimum temperature -20° F (-29° C). Extreme temperature seals maximum temperature 400° F (204° C) and minimum temperature -50° F (-45° C) and standard pressures to 300 p.s.i. Other temperatures or pressures can be furnished at extra cost. Consult manufacturer.

Made in USA

DIMENSIONS DIAGRAM



Note: Weights shown in chart are for crank rewind models.

Prefix	Type	LB / KG
EP	Electric	42 / 19
A	Air	26 / 12
H	Hyd	26 / 12

Add these amounts and model number prefix for power rewind models.

SPECIFICATIONS - HOSE CAPACITY AND REEL DIMENSIONS

HOSE I.D.	in mm	1	1 1/4	1 3/8	1 1/2																
		25	32	35	38																
HOSE O.D.	in mm	1 9/16	1 13/16	2	2 1/16																
		40	46	51	52																
MODEL	HOSE LENGTH				EST. WEIGHT	A	B	C	D	E CRK	E ELC	E AIR	E HYD	F CRK	F ELC	F AIR	F HYD	G	H		
3900-19-16	ft	55	45	45	40	90 LB	in	22	16	11¼	21	21	21	22	29	26	28	22½	13		
	m	17	14	14	12	41 KG	mm	559	406	286	533	533	533	559	533	660	737	711	572	330	
3900-19-20	ft	70	65	60	55	93 LB	in	26	20	11¼	21	21	21	22	21	30	33	30	32	22½	13
	m	21	20	18	17	42 KG	mm	660	508	286	533	533	533	559	533	762	838	762	813	572	330
3900-23-12	ft	95	60	55	50	87 LB	in	18	12	11¼	21	23	23	24	23	22	25	22	24	24½	13
	m	29	18	17	15	39 KG	mm	457	305	286	533	584	584	610	584	559	635	559	610	622	330
3900-23-18	ft	155	90	90	80	93 LB	in	24	18	11¼	21	23	23	24	23	28	31	28	30	24½	13
	m	47	27	27	24	45 KG	mm	610	457	286	533	584	584	610	584	711	787	711	762	622	330
3900-23-20	ft	165	105	100	95	95 LB	in	26	20	11¼	21	23	23	24	23	30	33	30	32	24½	13
	m	50	32	30	29	43 KG	mm	660	508	286	533	584	584	610	584	762	838	762	813	622	330
3900-23-26	ft	220	120	110	105	100 LB	in	31	26	11¼	21	23	23	24	23	36	39	36	38	24½	13
	m	67	37	34	32	45 KG	mm	787	660	286	533	584	584	610	584	914	991	914	965	622	330
3900-23-28	ft	240	145	140	135	103 LB	in	34	28	11¼	21	23	23	24	23	38	41	38	40	24½	13
	m	73	44	43	41	47 KG	mm	864	711	286	533	584	584	610	584	965	1041	965	1016	622	330
3900-23-36	ft	320	190	180	175	111 LB	in	42	36	11¼	21	23	23	24	23	46	49	46	48	24½	13
	m	98	58	55	53	50 KG	mm	1067	914	286	533	584	584	610	584	1168	1245	1168	1219	622	330
3900-25-12	ft	95	85	55	50	89 LB	in	18	12	11¼	21	25	25	25	22	25	22	24	26½	14	
	m	29	26	17	15	40 KG	mm	457	305	286	533	635	635	635	559	635	559	610	673	356	
3900-25-20	ft	165	155	100	95	97 LB	in	26	20	11¼	21	25	25	25	30	33	30	32	26½	14	
	m	50	47	30	29	44 KG	mm	660	508	286	533	635	635	635	762	838	762	813	673	356	
3900-31-12	ft	210	155	115	105	92 LB	in	18	22	11¼	24	31	31	31	22	25	25	24	32½	17	
	m	64	47	35	32	42 KG	mm	457	305	286	610	787	787	787	559	635	559	610	826	432	
3900-31-16	ft	305	205	155	150	96 LB	in	22	16	11¼	24	31	31	31	26	29	26	28	32½	17	
	m	93	62	47	46	44 KG	mm	559	406	286	610	787	787	787	660	737	660	711	826	432	
3900-31-20	ft	365	275	200	190	100 LB	in	26	20	11¼	24	31	31	31	30	33	30	32	32½	17	
	m	111	84	61	58	45 KG	mm	660	508	286	610	787	787	787	762	838	762	813	826	432	

North America: 800-444-3134 Asia: +63 (45) 625-6624
Europe: +44 (0) 1536 406999 Latin America: 260-489-1685

www.reelcraft.com



REELCRAFT

Wind Things Up With Reelcraft™



Fuel Delivery Series FD80000

Work Smarter™

North America Corporate Headquarters

One Reelcraft Center • P.O. Box 248
Columbia City, IN 46725-0248
Ph: 800-444-3134 • Fax: 800-444-4587
Ph: 260-248-8188 • Fax: 260-248-2605
reelcraft@reelcraft.com
www.reelcraft.com

Latin America and the Middle East

Thompson International, Inc.
P.O. Box 12958
Ft. Wayne, IN 46866
Ph: 260-489-1685
Fax: 260-489-0203
info@t-i-i.com
www.reelcraft.com/latinamerica

China

Reelcraft Changzhou Co., Ltd.
Building C, No. 229 HeHai West Road
Changzhou, Jiangsu, China 213022
Ph: (519) 8512 2391 ext. 8002
Fax: (519) 8512 9309
rco@reelcraftchina.com
www.reelcraft.com/china

Europe

Unit 17 • Cronin Courtyard
Weldon South Industrial Estate
Corby • Northamptonshire • NN18 8AG
United Kingdom
Ph: +44 (0) 1536 406999
Fax: +44 (0) 1536 406777
europe@reelcraft.com
www.reelcraft.com/europe

Canada

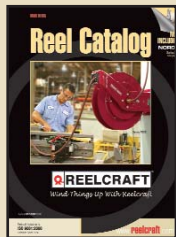
1705 Argentia Rd. Unit #7
Mississauga, ON L5N 3A9
Ph: 800-444-3134 • Fax: 800-444-4587
reelcraft@reelcraft.com

Asia Pacific

P.O. Box 53776
Clark Freeport Zone
Philippines 2023
Ph: +63 (45) 625-6624
Fax: +63 (45) 321-0643
rap@comclark.com
www.reelcraft.com/asia

Australia

PO Box 6463 BC, Blacktown
NSW 2148, Australia
Ph: +61 (2) 9621 8988
Fax: +61 (2) 9621 7688
sales@recoila.com



917-1097



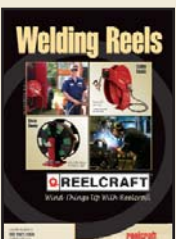
MCAT-001



1123-802



DP-407



735-1194



Form # **618-393** 0805

Wind Things Up With Reelcraft™

reelcraft.com

Reelcraft Industries is
ISO 9001:2000
Certified Since 1996