

Drive Accessories

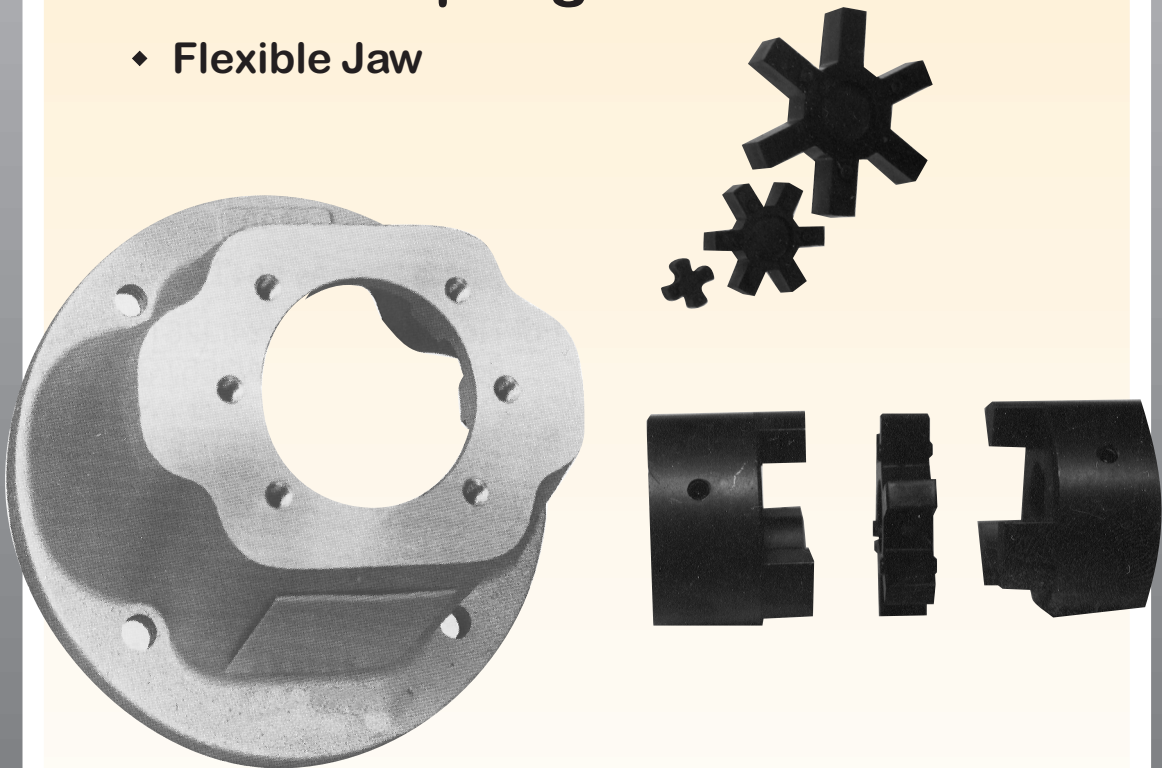
Pump/Motor Adaptors

- ◆ Horizontal
- ◆ Vertical

Gas Engine Pump Adaptors

Drive Couplings

- ◆ Flexible Jaw

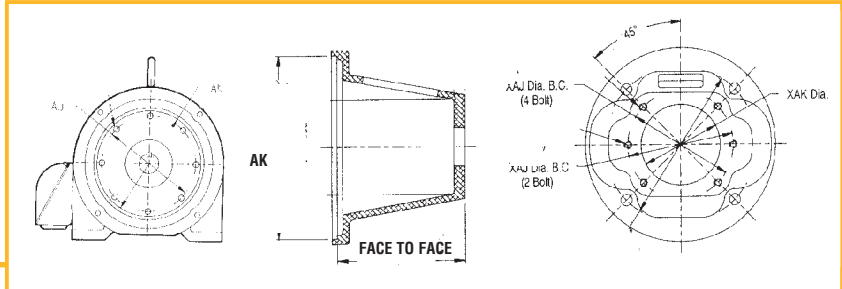


MP FILTRI (CANADA) INC.

Pump Motor Adaptors-Horizontal

Description

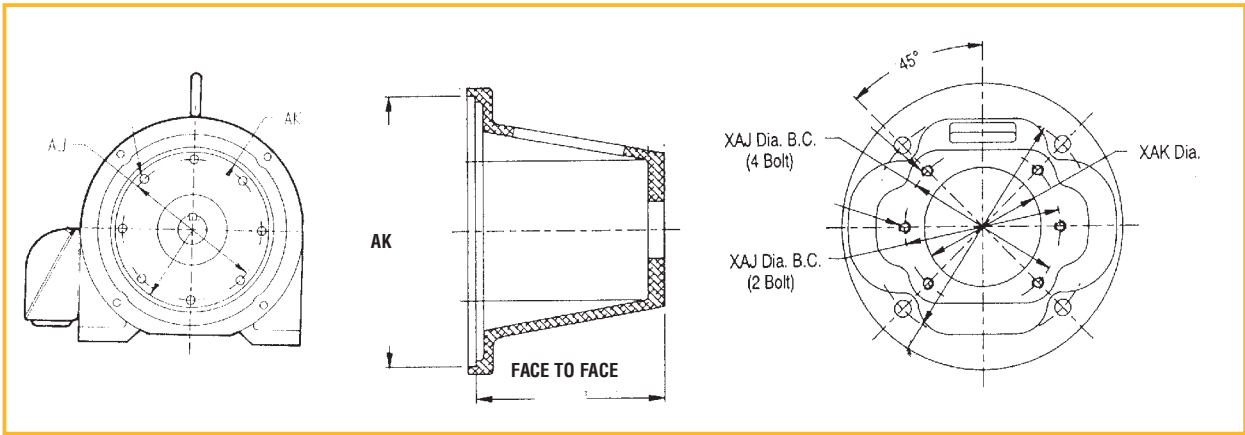
- ◆ High strength cast aluminum
- ◆ Orange, snap in access cover
- ◆ Large access hole for coupling installation



Dimensions

| Adaptor Number | Motor Frame Size | SAE Pump Mounting | Face to Face | Electric Motor | | Pump End | |
|----------------|------------------|-------------------|--------------|----------------|-------------|------------------|------------|
| | | | | Bolt Circle AJ | Register AK | Bolt Circle XAJ" | Pilot XAK" |
| 170499 | 56C 143/145TC | 2A, 4A | 2.65" | 5.875" | 4.50" | 4.19/4.12 | 3.251 |
| 170699 | | 2AA | 3.50" | 5.875" | 4.50" | 3.25 | 2.001 |
| 170799 | | 2A, 4A | 3.50" | 5.875" | 4.50" | 4.19/4.12 | 3.251 |
| 170599 | | 4F17 | 3.50" | 5.875" | 4.50" | 2.84 | 1.781 |
| 6027 | | 2AA | 4.25" | 5.875" | 4.50" | 3.25 | 2.001 |
| 6028 | | 2A, 4A | 4.25" | 5.875" | 4.50" | 4.19/4.12 | 3.251 |
| 6029 | | 4F17 | 4.25" | 5.875" | 4.50" | 2.84 | 1.781 |
| 2114 | | Spacer | 1.00" | 5.875" | 4.50" | | |

| | | | | | | | |
|--------|---------------------------|------------------|-------|--------|--------|-----------|-------|
| 6026 | 182TC Through 256TC | 2A, 4A | 4.63" | 7.250" | 8.500" | 4.19/4.12 | 3.251 |
| 2000 | | 4F17 | 5.00" | 7.250" | 8.500" | 2.84 | 1.781 |
| 1994 | | 2AA | 5.00" | 7.250" | 8.500" | 3.25 | 2.001 |
| 1960 | | 2A, 4A | 5.00" | 7.250" | 8.500" | 4.19/4.12 | 3.251 |
| 1964 | | 2B, 4B | 5.00" | 7.250" | 8.500" | 5.75/5.00 | 4.001 |
| 1946 | | 2C, 4C | 5.44" | 7.250" | 8.500" | 7.12/6.38 | 5.001 |
| 1995 | | 2AA | 5.81" | 7.250" | 8.500" | 3.25 | 2.001 |
| 1959 | | 2A, 4A | 5.81" | 7.250" | 8.500" | 4.19/4.12 | 3.251 |
| 1952 | | 2B, 4B | 5.81" | 7.250" | 8.500" | 5.75/5.00 | 4.001 |
| 1955 | | 2C, 4C | 6.38" | 7.250" | 8.500" | 7.12/6.38 | 5.001 |
| 1950 | | 2A, 4A | 6.81" | 7.250" | 8.500" | 4.19/4.12 | 3.251 |
| 1951 | | 2B, 4B | 6.81" | 7.250" | 8.500" | 5.75/5.00 | 4.001 |
| 1956 | | 2C, 4C | 7.38" | 7.250" | 8.500" | 7.12/6.38 | 5.001 |
| 1962 | | Spacer | 1.00" | 7.250" | 8.500" | | |
| 268299 | | Vertical Adaptor | 0.50" | 7.250" | 8.500" | | |



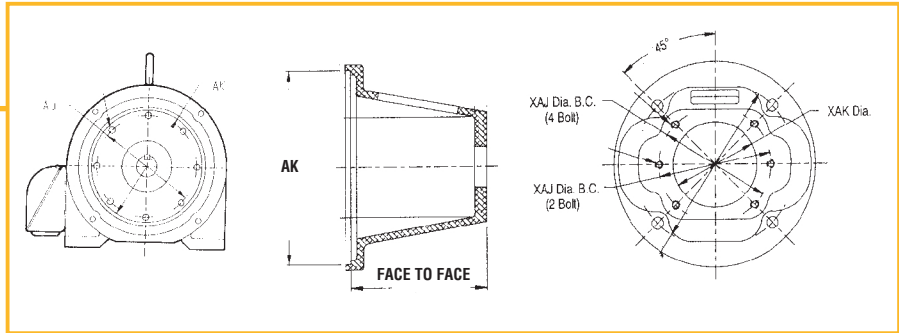
| Adaptor Number | Motor Frame Size | SAE Pump Mounting | Face to Face | Electric Motor | | Pump End | |
|----------------|-----------------------------------|-------------------|--------------|----------------|-------------|------------------|------------|
| | | | | Bolt Circle AJ | Register AK | Bolt Circle XAJ" | Pilot XAK" |
| 1851 | 284TC/TSC Through 286TC/TSC | 2A, 4A | 5.88" | 9.000" | 10.500" | 4.19/4.12 | 3.251 |
| 1855 | | 2C, 4C | 5.88" | 9.000" | 10.500" | 7.12/6.38 | 5.001 |
| 1975 | | 2A, 4A | 7.19" | 9.000" | 10.500" | 4.19/4.12 | 3.251 |
| 1979 | | 2B, 4B | 7.19" | 9.000" | 10.500" | 5.75/5.00 | 4.001 |
| 1981 | | 2C, 4C | 7.19" | 9.000" | 10.500" | 7.12/6.38 | 5.001 |
| 1854 | | 2B, 4B | 7.88" | 9.000" | 10.500" | 5.75/5.00 | 4.001 |
| 1856 | | 2C, 4C | 7.88" | 9.000" | 10.500" | 7.12/6.38 | 5.001 |
| 1978 | | 2A, 4A | 8.88" | 9.000" | 10.500" | 4.19/4.12 | 3.251 |
| 1980 | | 2B, 4B | 8.88" | 9.000" | 10.500" | 5.75/5.00 | 4.001 |
| 1982 | | 2C, 4C | 8.88" | 9.000" | 10.500" | 7.12/6.38 | 5.001 |
| 3047 | | Spacer | 0.50" | 9.000" | 10.500" | | |
| 268399 | | Vertical Adaptor | 0.50" | 9.000" | 10.500" | | |

| | | | | | | | |
|--------|-----------------------------------|--------|-------|---------|---------|-----------|-------|
| 260399 | 324TC/TSC Through 405TC/TSC | 2C, 4C | 6.30" | 11.000" | 12.500" | 7.12/6.38 | 5.001 |
| 1974 | | 2B, 4B | 7.68" | 11.000" | 12.500" | 5.75/5.00 | 4.001 |
| 1984 | | 2C, 4C | 7.68" | 11.000" | 12.500" | 7.12/6.38 | 5.001 |
| 1986 | | 2D, 4D | 7.68" | 11.000" | 12.500" | 9.00 | 6.001 |
| 1983 | | 2C, 4C | 8.88" | 11.000" | 12.500" | 7.12/6.38 | 5.001 |
| 1969 | | 2B, 4B | 8.88" | 11.000" | 12.500" | 5.75/5.00 | 4.001 |
| 1985 | | 2D | 8.88" | 11.000" | 12.500" | 9.00 | 6.001 |
| 235099 | | 2D, 4D | 9.63" | 11.000" | 12.500" | 9.00 | 6.001 |
| 260799 | | 2C, 4C | 9.88" | 11.000" | 12.500" | 7.12/6.38 | 5.001 |
| 1993 | | Spacer | 1.25" | 11.000" | 12.500" | | |

| | | | | | | | |
|------|---------|--------|-------|---------|---------|-----------|-------|
| 1880 | 444TC | 2C, 4C | 8.88" | 14.000" | 16.000" | 7.12/6.38 | 5.001 |
| 1881 | Through | 2D, 4D | 8.88" | 14.000" | 16.000" | 9.00 | 6.001 |
| 1882 | 445TSC | 2E | 8.88" | 14.000" | 16.000" | 12.50 | 6.501 |

Pump Motor Adaptors - Vertical

Dimensions



| Adaptor Number | Motor Frame Size | SAE Pump Mounting | Face to Face | Electric Motor | | Pump End | |
|----------------|------------------|-------------------|--------------|----------------|-------------|------------------|------------|
| | | | | Bolt Circle AJ | Register AK | Bolt Circle XAJ" | Pilot XAK" |
| 6027 | 56C 143/145TC | 2AA | 4.25" | 5.875" | 4.50" | 3.25 | 2.001 |
| 6028 | | 2A, 4A | 4.25" | 5.875" | 4.50" | 4.19/4.12 | 3.251 |
| 6029 | | 4F17 | 4.25" | 5.875" | 5.40" | 2.84 | 1.781 |

| | | | | | | | |
|------|---------------------------|--------|-------|--------|--------|-----------|-------|
| 6030 | 182TC Through 256TC | 2A, 4A | 5.00" | 7.250" | 8.500" | 4.19/4.12 | 3.251 |
| 6031 | | 2AA | 5.00" | 7.250" | 8.500" | 3.25 | 2.001 |
| 6034 | | 2A, 4A | 5.88" | 7.250" | 8.500" | 4.19/4.12 | 3.251 |
| 6036 | | 2B, 4B | 5.75" | 7.250" | 8.500" | 5.75/5.00 | 4.001 |
| 6038 | | 2A, 4A | 6.88" | 7.250" | 8.500" | 4.19/4.12 | 3.251 |
| 6040 | | 2B, 4B | 6.81" | 7.250" | 8.500" | 5.75/5.00 | 4.001 |
| 6054 | | 2A, 4A | 5.00" | 7.250" | 8.500" | 4.19/4.12 | 3.251 |
| 6055 | | 2A, 4A | 5.75" | 7.250" | 8.500" | 4.19/4.12 | 3.251 |

Gas Engine Pump Adaptors

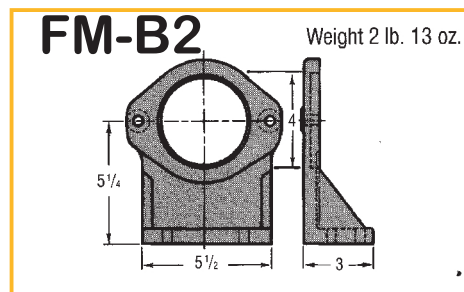
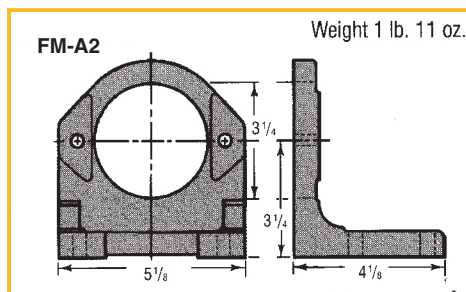
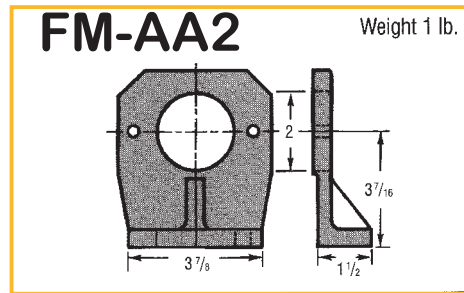
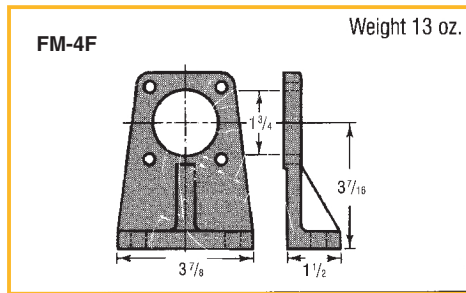
| Adaptor Number | Gas Engine | | Face to Face | SAE Pump | | |
|----------------|-------------|-------|--------------|----------|-------------|-------|
| | Bolt Circle | Pilot | | Mount | Bolt Circle | Pilot |
| GAS10-4F17 | 3.625 | 1.625 | 4.44 | 4F17 | 2.84 | 1.781 |
| GAS11-2AA | 3.625 | 1.625 | 4.44 | 2AA | 3.25 | 2.001 |
| GAS13-2AA | 6.5 | 5.75 | 5.00 | 2AA | 3.25 | 2.001 |
| GAS15-4F17 | 6.5 | 5.75 | 5.63 | 4F17 | 2.84 | 1.781 |
| GAS15-2AA | 6.5 | 5.75 | 5.63 | 2AA | 3.25 | 2.001 |
| GAS16/5-2A | 6.5 | 5.75 | 5.75 | 2A | 4.19 | 3.251 |
| GAS16/7-2A | 7.75 | 7 | 5.63 | 2A | 4.19 | 3.251 |
| GAS13-2A | 6.5 | 5.75 | 5.00 | 2A | 4.19 | 3.251 |
| GAS13-4F17 | 6.5 | 5.75 | 5.00 | 4F17 | 2.84 | 1.781 |

Foot Mount Brackets For Hydraulic Pumps

Specifications

- ◆ Durable aluminum casting
- ◆ Available in: SAE AA 4 bolt
SAE AA 2 bolt
SAE A 2 bolt
SAE B 2 bolt

Dimensions



Ordering Information

| FM | | A2 | |
|---------------|--|-------------|---------------|
| PRODUCT TYPE | | PUMP FLANGE | |
| FM/Foot Mount | | 4F | SAE AA 4 bolt |
| | | AA2 | SAE AA 2 bolt |
| | | A2 | SAE A 2 bolt |
| | | B2 | SAE B 2 bolt |

Drive Couplings

Insert Specifications

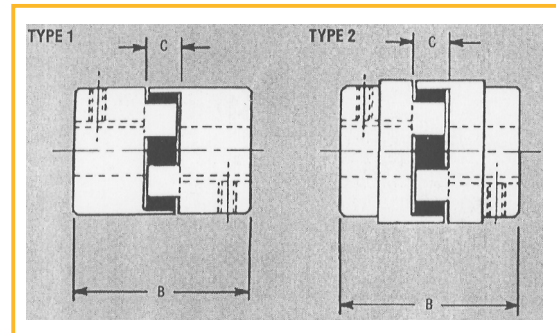
- ◆ Materials: Rubber (Buna-N)
- ◆ Max Misalignment: Angular: 1°
Parallel: 0.015"
- ◆ Temperature: -40°C to +100° C

Hub Specifications

- ◆ Material: L075 - L150: Sintered Iron (S.I.)
L190 - L225: Iron (C.I.)

Coupling Dimensions and Specifications

| Coupling Number | Type | Dimensions in. | | Bore Weight lb | |
|-----------------|------|----------------|-------|----------------|------|
| | | C | B | Min. | Max. |
| L075 | 1 | 1/2 | 2-1/8 | 1.0 | 0.8 |
| L095 | 1 | 1/2 | 2-1/2 | 1.8 | 1.3 |
| L100 | 1 | 3/4 | 3-1/2 | 3.5 | 2.5 |
| L110 | 1 | 7/8 | 4-1/4 | 6.6 | 5.0 |
| L150 | 1 | 1 | 4-1/2 | 9.1 | 7.0 |
| L190 | 2 | 1 | 4-7/8 | 17.0 | 13.0 |
| L225 | 2 | 1 | 5-3/8 | 23.0 | 18.0 |



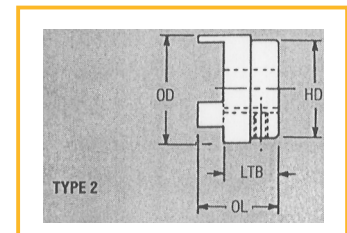
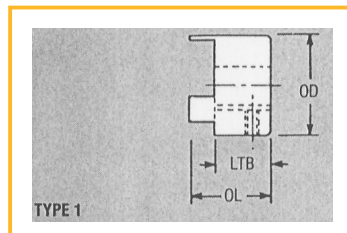
- ◆ Torque - Horsepower Ratings for Buna-N Insert:

| Coupling Number | Max. Bore | Torque in Lbs | HP/100 RPM | HP / Speeds (RPM) | | | |
|-----------------|-----------|---------------|------------|-------------------|-------|-------|--------|
| | | | | 900 | 1200 | 1800 | 3600 |
| L075 | 7/8 | 88.0 | 0.140 | 1.26 | 1.68 | 2.51 | 5.03 |
| L095 | 1-1/8 | 189.0 | 0.300 | 2.70 | 3.60 | 5.40 | 10.80 |
| L100 | 1-3/8 | 416.0 | 0.660 | 5.94 | 7.92 | 11.88 | 23.76 |
| L110 | 1-5/8 | 788.0 | 1.250 | 11.25 | 15.00 | 22.51 | 45.01 |
| L150 | 1-7/8 | 1260.0 | 1.999 | 17.99 | 23.99 | 35.99 | 71.97 |
| L190 | 2-1/8 | 1700.0 | 2.697 | 24.28 | 32.37 | 48.55 | 97.10 |
| L225 | 2-3/8 | 2330.0 | 3.697 | 33.27 | 44.36 | 66.55 | 133.09 |

Stock Bore Sizes

| Key | Bore | L075 | L095 | L100 | L110 | L150 | L190 | L225 |
|---------------|--------|------|------|------|------|------|------|------|
| 3/32" x 3/64" | 7/16 | • | • | • | | | | |
| 1/8" x 1/16" | 3/8 | • | | | | | | |
| | 7/16 | • | • | • | | | | |
| | 1/2 | • | • | • | | | | |
| | 9/16 | • | • | • | | | | |
| 3/16" x 3/32" | 5/8 | • | • | • | • | • | | |
| | 3/4 | • | • | • | • | • | • | • |
| | 7/8 | • | • | • | • | • | • | • |
| 1/4" x 1/8" | 1 | | • | • | • | • | • | • |
| | 1-1/8 | | • | • | • | • | • | • |
| | 1-3/16 | | | • | • | • | • | • |
| | 1-1/4 | | | • | • | • | • | • |
| 3/8" x 3/16" | 1-1/2 | | | | • | • | • | • |
| | 1-5/8 | | | | • | • | • | • |
| | 1-3/4 | | | | | • | • | • |
| 1/2" x 1/4" | 1-7/8 | | | | | • | • | • |
| | 2 | | | | | | • | • |
| | 2-1/8 | | | | | | • | • |
| | 2-1/4 | | | | | | | • |
| 5/8" x 5/16" | 2-3/8 | | | | | | | • |

Hub Dimensions and Specifications



| HUB Number | Hub | | Dimensions | | | | Bore Range | | Hub Weight | |
|------------|-------|------|------------|-------|---------|----------|------------|-------|------------|------|
| | Mat'l | Type | OD | HD | LTB | OL | Min. | Max. | Bores | |
| | | | | | | | | | Min. | Max. |
| L075 | S.I. | 1 | 1-3/4 | --- | 13/16 | 1- 9/32 | 1/4 | 7/8 | .50 | .40 |
| L095 | S.I. | 1 | 2-7/64 | --- | 1 | 1-29/64 | 7/16 | 1-1/8 | .90 | .65 |
| L100 | S.I. | 1 | 2-17/32 | -- | 1-3/8 | 2-3/64 | 7/16 | 1-3/8 | 1.75 | 1.25 |
| L110 | S.I. | 1 | 3-5/16 | --- | 1-11/16 | 2-31/64 | 5/8 | 1-5/8 | 3.20 | 2.40 |
| L150 | S.I. | 1 | 3-3/4 | --- | 1-3/4 | 2-11/16 | 5/8 | 1-7/8 | 4.50 | 3.40 |
| L190 | C.I. | 2 | 4-1/2 | 4 | 1-15/16 | 2- 57/64 | 3/4 | 2-1/8 | 8.20 | 6.20 |
| L225 | C.I. | 2 | 5 | 4 1/4 | 2-3/16 | 3-7/64 | 3/4 | 2-3/8 | 11.10 | 8.60 |

Special Sizes - Non Standard

- ◆ Bore sizes available with non-standard keyways:

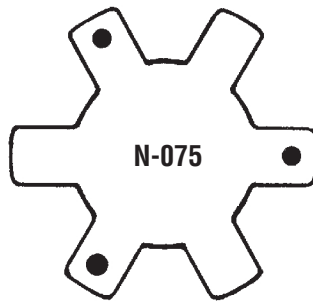
Special halves available from stock.

| Bore Tolerances | |
|-----------------|----------------|
| Up to 1-7/16 | +0.0015/-0.000 |
| Over 1-1/2 | +0.002/-0.000 |

| Keyway Size | L075 | L095 | L100 | L110 | L150 | L190 | L225 |
|---------------------------|------|------|------|------|------|------|------|
| 1/8 x 7/16 7/16 Bore | • | • | • | | | | |
| 5/32 x 5/64 5/8 Bore | • | • | • | | | | |
| 1/4 x 1/8 7/8 Bore | | • | • | • | • | • | • |
| 5/16 x 5/32 1-1/4 Bore | | | • | • | • | • | • |

Replacement Inserts

- ◆ Raised dots on each side of the cushion insert provide the correct pre-measured gap between the jaw and spider.



- ◆ Hytrel and Urethan also available

| SERIES | Replacement Inserts |
|--------|---------------------|
| L075 | N-075 |
| L095 | N-095 |
| L100 | N-100 |
| L110 | N-110 |
| L150 | N-150 |
| L190 | N-190 |
| L225 | N-225 |

Ordering Information Drive Coupling

