

Gauges

Liquid Filled

- ◆ MPG Series

Dry

- ◆ MPD Series

Gauge Isolator Valve

- ◆ EM Series



MP FILTRI (CANADA) INC.

Dry Gauges Model MPD

Technical Data

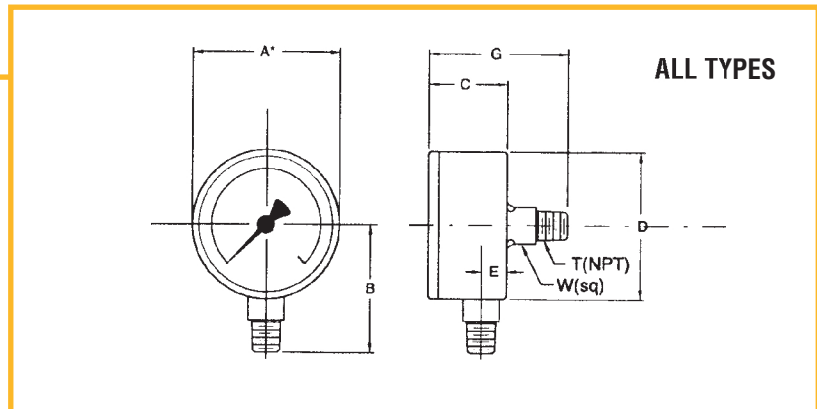


- ◆ Socket: Copper alloy
- ◆ Case: Black steel
- ◆ Bourdon Tube: Circular in copper alloy up to 600 PSI
Helical above 900 PSI
- ◆ Movement: Copper alloy
- ◆ Window: Acrylic
- ◆ Dial: White plastic, black scale
- ◆ Pointer: Black ABS plastic
- ◆ Connection: Bottom (Model A); Center back (Model D)
- ◆ Standard Threads: 1/4 " NPT - 1/8" NPT on some sizes
- ◆ Accuracy: Class 1.6 - 2.5 ANSI B40.1 Grade B
- ◆ Temperature Range: Ambient: -40°C to 60°C, media: max 60°C
- ◆ Pressure Utilization: Static 75% max. scale; Dynamic 66% max. scale
- ◆ Protection Degree: IP 43
- ◆ Scale: Concentric 270° PSI/Bar

◆ Custom gauges available , please contact MP Filtri (Canada) Inc.

Dimensions

- ◆ "A" nominal size



Size	Weight	Key	A	B	C	D	E	G	T	W
1-1/2"	0.16 lbs.	mm	40	36	23	41	8	46.5 ¹	1" or	14 ²
		In.	1.57	1.42	0.91	1.61	0.31	1.83 ¹	1/4" NPT	0.55 ²
2"	0.22 lbs.	mm	50	45	27	49	10	47 ¹	1" or	14
		In.	1.97	1.77	1.06	1.93	0.39	1.87 ¹	1/4" NPT	0.55
2-1/2"	0.29 lbs.	mm	63	53.5	28	61.5	10	48 ¹	1" or	14
		In.	2.48	2.11	1.1	2.42	0.39	1.89 ¹	1/4" NPT	0.55

- ◆ 1. For gauges with 1/8" NPT connections, subtract 0.08 inches (2mm) from "G" dimension
- ◆ 2. For 1 1/2" LM gauges with 1/8" NPT connection, "W" dimension also changes to 0.47"/12mm

Dry Gauges Ordering Information

MPD 1 P 30 A 1/4"

DIAMETER

1	2-1/2"
3	2"
4	1-1/2"

STYLE

A	Bottom Stem (N/A on 1-1/2" Gauge)
D	Back Stem

TYPE

P	Pressure
---	----------

THREAD

1/4"	1/4" NPT
1/8"	1/8" NPT available for 1 1/2" and 2" back mount gauges only

PRESSURE RANGE

Type	1-1/2"	2"	2-1/2"
30	30 psi	30 psi	30 psi
60	60 psi	60 psi	60 psi
100	100 psi	100 psi	100 psi
160	160 psi	160 psi	160 psi
200	200 psi	200 psi	-
300	-	-	300 psi
600	-	-	600 psi
1000	-	-	1000 psi
2000	-	-	2000 psi
3000	-	-	3000 psi
4000	-	-	4000 psi
5000	-	-	5000 psi

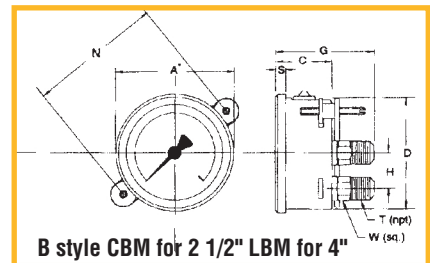
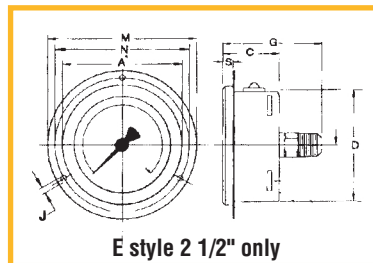
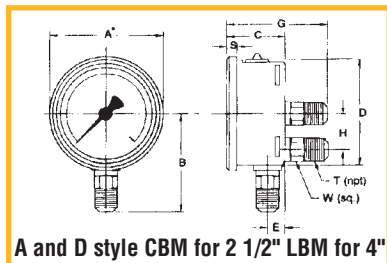
Liquid Filled Gauges - MPG



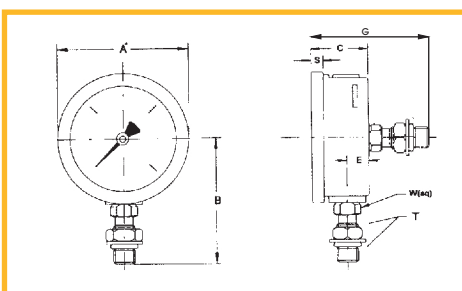
Technical Data

- ◆ Socket: Copper alloy
- ◆ Case: Stainless steel
- ◆ Flange and Ring: Stainless steel (Model E)
- ◆ Ring: Stainless steel (Model B)
- ◆ Bourdon Tube: Circular in copper alloy up to 600 PSI, Helical in copper alloy above 900 PSI
- ◆ Movement: Copper alloy
- ◆ Window: Polycarbonate, acrylic 4"
- ◆ Dial: White ABS, black scale
- ◆ Pointer: Black enamelled aluminium
- ◆ Mounting: Model E: Front flange with 3 mounting holes
Model B: With special ring and back clamp.
- ◆ Connection: Bottom (Model A):
Center back (Model D) 2 1/2".
Lower back 4"
- ◆ Standard Threads: 1/4" NPT and SAE -4
- ◆ Filling Liquid: Glycerine fluid
- ◆ Accuracy: 1.5% of span
- ◆ Temperature Range: Between -20°C to + 80°C
- ◆ Working Range: Steady: 3/4 scale valve,
Fluctuating: 2/3 scale valve,
Short time: full scale
- ◆ Protection Degree: IP 65
- ◆ Scale: Concentric 270° - PSI/Bar
- ◆ Custom gauges available , please contact MP Filtri (Canada) Inc.

Dimensions



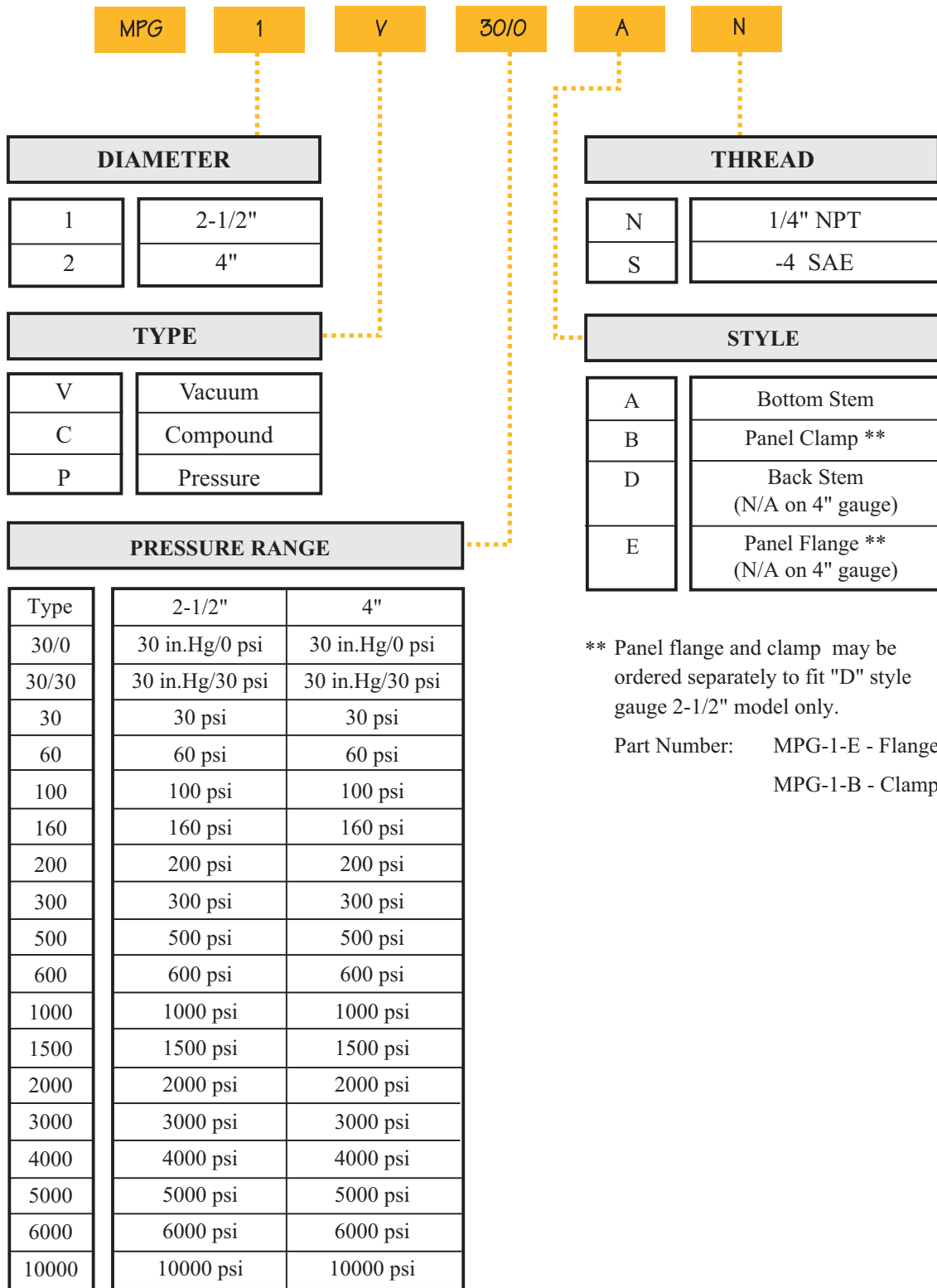
Size	Weight	Key	A	B	C	D	E	G	H	J	M	N	S	T	W
2-1/2"	0.36 lbs. + 0.06 lbs. if filled	mm	63	54	32	62	13	54	--	3.6	85	75	6.5	--	14
		In.	2.5	2.13	1.26	2.44	0.51	2.13	--	0.14	3.35	2.95	0.26	1/4	0.55
4"	1.10 lbs. + 0.66 lbs. if filled	mm	100	82	48	100	15.5	79.5	30	4.8	132	116	8	--	12
		In.	4	3.41	1.89	3.99	0.61	3.13	1.18	0.19	5.20	4.57	0.31	1/2	0.87



Size	Wt.	Key	A	B	C	E	G	S	W
SAE-4 2 1/2"	0.51	mm	63	61.2	31	13	61.2	6	14
		In.	2.5	2.41	1.23	0.51	2.41	0.24	0.55

- ◆ A nominal size
- ◆ T = 7/16" - 20" SAE Connection, Supplied with Viton o-ring, hex nut, and washer

Liquid Filled Ordering Code



** Panel flange and clamp may be ordered separately to fit "D" style gauge 2-1/2" model only.

Part Number: MPG-1-E - Flange
 MPG-1-B - Clamp

Gauge Isolator Valve Single Station - EM Series



Description

- ◆ The MP "Push-To-Test" single station gauge isolator valve is designed for use between the circuit and pressure gauge. This valve protects the pressure gauge from damaging pressure surges, hydraulic shock and mechanical vibrations. The pressure port is normally closed.

With a push, the pressure port is aligned with the gauge port and a gauge reading is obtained. Releasing the stem automatically returns the spool to the neutral position and connects the gauge port to the drain port, which returns the gauge to a zero pressure condition.

Technical Data

- ◆ Model Number: EM-1-A-N50-A
- ◆ Push-To-Test: Push to test or push and twist to read continuous pressure.
- ◆ Maximum Working Pressure: 5880 PSI
- ◆ Mounting: Line or panel mounting
- ◆ Ports "A": 1/4" NPT
- ◆ Temperature Range: -30°C to +110°C

