



Professional Lifting Equipment



Contents



Hein-Werner lifting equipment is manufactured in the U.S.A. All products come with a 2 year warranty.



Omega Lift equipment is a premium import lifting equipment line. All Omega products come with a 1 year warranty.



Blackhawk Porto-Power is the premier collision repair equipment preferred by professional body shops.

All Porto-Power products come with a 1 year warranty.



Service Jacks	3
Long Chassis Service Jacks	4
Heavy Duty Jack Stands	6
Jack Stands & Forklift Stands	7
Truck Jacks	8
Transmission Jacks	10
Forklift Jack & Air Jack	12
Wheel Dolly & Engine Stand	13
Engine Stand	14
Engine Crane	15
End Lifts	16
Wheel Lift System	17
Shop Presses	18
Shop Press Accessories & Jack Oil	19
Bottle Jacks	20
Air Actuated Bottle Jacks	22
Jack Pad & Motorcycle/ATV Jack	23
Magic Lift Service Jacks	24
Service Jacks	30
Long Chassis Service Jacks	31
Truck Jacks	32
Telescopic Transmission Jacks	34
Floor Style Transmission Jacks	36
Clutch Jack & Forklift Jacks	37
Brake Drum Handler & Wheel Dollies	38
Strut Spring Compressor & Pipe Bender	39
Magic Lift Jack Stands	40
Jack Stands	41
Auxiliary, Tripod Stands & Truck Ramps	42
Shop Presses	43
Engine Stands	44
Engine Transverse Bar & Low Profile Cylinder Kit	45
Body Repair Kits	46
Air Actuated Foot Pumps & Hydraulic Cylinders	47
Engine Cranes	48
Crane Jacks & Bead Breaker	49
Creeper Seats	50
4 Ton Porto-Power Kit	51
10 Ton Porto-Power Kit	52
20 Ton Porto-Power Kit	53
Flat Body Rams	54
Hydraulic Hand Pumps & Spreader	55
Air Hydraulic Foot Pumps	56
Hydraulic Sets	57
Hydraulic Rams	58
Frame Straightener & Anchor Pot	60
Pull Rams & Accessories	61
Warranty	63

Made in **USA** ***



HW93642

HW93642 2 TON SERVICE JACK

- One piece handle
- Flanged side plates for increased strength
- Wide frame for stability under a load
- Large front wheels and rear swivel casters for easy maneuvering
- Cast iron pump base for strength and durability
- Sealed hydraulic pump
- Breather plug assembly, U.S. Patent No.7,194,857
- Pressure relief valve prevents overloading
- In-line pump provides efficient pumping operation
- Cast iron lift arm for heavy duty loads
- U-joint release mechanism for precise load control
- Paired perfect with jack stands HW93503

HW93652 3 TON SERVICE JACK

Made in **USA** ***

- Heavy Duty frame for rugged applications
- Longer chassis ideal for truck & SUV
- Full swivel rear casters for easy positioning
- Sealed hydraulic pump
- Pressure relief valve prevents overloading
- Breather plug assembly, U.S. Patent No.7,194,857
- Cast iron lift arm for heavy duty loads
- One piece handle
- U-joint release mechanism for precise load control
- Paired perfect with jack stands HW93503



HW93652

Model	Capacity	Minimum Height	Maximum Height	Power Raise	Saddle Diameter	Handle Length	Chassis Length	Chassis Height	Wheel to Wheel Width	G.W.
HW93642	2 Ton	4-1/2"	20-1/4"	15-3/4"	6-3/4"	50"	28-1/2"	6-3/4"	11-3/4"	90 Lbs.
HW93652	3 Ton	5"	23-1/2"	18-1/2"			31-1/2"	7-1/4"		107 Lbs.

HW93657 4 TON SERVICE JACK

- Dual piston action provides speed to contact and power to lift
- Handle adjusts to three pumping positions
- Extra long chassis for hard to reach points
- Breather plug assembly, U.S. Patent No.7,194,857
- T-handle with release knob for ease of positioning and load control
- Sealed hydraulic unit keeps out grit, grime, and moisture
- Cast lift arm for heavy loads
- Paired perfect with jack stands HW93506



T-Handle

Made in **USA** ***

HW93657

HW93667 4 TON AIR/MANUAL SERVICE JACK

Includes all the features of the HW93657 plus:

- Operates manually or with air
- Speed Pak™ reduces handle pumping

Made in **USA** ***

HW93667

Model	Capacity	Minimum Height	Maximum Height	Power Raise	Saddle Diameter	Handle Length	Chassis Length	Chassis Height	Wheel to Wheel Width	Min. PSI For Rated Load	G.W.
HW93657	4 Ton	5"	25-3/4"	20-3/4"	7"	51"	49"	8"	15"	N/A	219 Lbs.
HW93667										140	233 Lbs.

HW93660

10 TON MANUAL SERVICE JACK

- Lift trucks, trailers, and buses by the axle, differential, or frame
- Dual piston action provides speed to contact and power to lift
- Long chassis for hard to reach points
- Breather plug assembly, U.S. Patent No.7,194,857
- Handle adjusts to three pumping positions
- T-handle with release knob for exact positioning of load
- Sealed hydraulic unit keeps out grit, grime, and moisture
- Large full swivel saddle and ball bearing caster make positioning easy
- Cast lift arm for heavy loads
- Paired perfect with jack stands HW93512

Made in  **USA**

HW93660

HW93662

10 TON AIR/MANUAL SERVICE JACK

Includes all the features of the HW93660 plus:

- Operates manually or with air
- Speed Pak™ reduces lift time

Made in  **USA**

HW93662

Model	Capacity	Minimum Height	Maximum Height	Power Raise	Saddle Diameter	Handle Length	Chassis Length	Chassis Height	Wheel to Wheel Width	Min. PSI For Rated Load	G.W.
HW93660	10 Ton	6-3/4"	25-1/2"	18-3/4"	8-1/2"	56"	53-1/2"	9-1/2"	20-1/2"	N/A	420 Lbs.
HW93662										140	435 Lbs.

HW93511

10 TON HIGH REACH JACK STANDS

- Heavy duty pin style height adjustment
- Wide base for maximum load stability
- Adjusts from 30" to 52" in 2" intervals
- Large saddle secures load
- Integrated wheels for easy for positioning
- Integrated handle for transport
- Ideal for fleet, agricultural and construction maintenance
- Sold and to be used in pairs



Made in USA



HW93511

HW93512

10 TON JACK STANDS

- Heavy duty pin style height adjustment
- Wide base for maximum load stability
- Adjusts from 19-1/2" to 31-1/2" in 2" intervals
- Large saddle secures load
- Integrated carrying handle
- Ideal for fleet, agricultural, and construction maintenance
- Sold and to be used in pairs

Made in USA



HW93512

Model	Capacity (per pair)	Minimum Height	Maximum Height	Height Intervals	Base Size	Saddle Size	G.W. (pair)
HW93511	10 Ton	30"	52"	2"	18"x18"	3"x 5-3/4"	148 Lbs.
HW93512		19-1/2"	31-1/2"		16"x16"		92 Lbs.



HW93503

3 TON JACK STANDS

HW93506

6 TON JACK STANDS

- Saddle column provides ratchet action height adjustment
- Dual purpose handle serves as carry handle and saddle column release
- Multi-position ratchet bar provides strength and durability
- Formed base adds stability
- Sold and to be used in pairs

Made in **USA** ***



HW93503



HW93506

Model	Capacity (per pair)	Minimum Height	Maximum Height	Height Intervals	Base Size	Saddle Size	G.W. (pair)
HW93503	3 Ton	12"	19"	5/8"	7-1/2" x 9"	1" x 4-1/2"	19 Lbs.
HW93506	6 Ton	16-3/8"	25-3/8"		10-1/2" x 13"	1" x 5"	42 Lbs.

HW93524

7 TON FORKLIFT STANDS

- Low profile for forklifts
- Wide, square base for maximum load stability
- Adjusts from 9-1/2" to 15-3/4" at 1" intervals
- Heavy duty holding pins for adjustable heights
- Lightweight for portability and ease of positioning
- Sold and to be used in pairs



HW93524

HW93526

25 TON JACK STANDS

- Pin style column adjusts in 1-1/2" height intervals
- Heavy duty square tubing
- Large saddle securely supports load
- Ideal for fleet, agricultural, and construction maintenance
- Sold and to be used in pairs



HW93526

Made in **USA** ***

Model	Capacity (per pair)	Minimum Height	Maximum Height	Height Intervals	Base Size	Saddle Size	G.W. (pair)
HW93524	7 Ton	9-1/2"	15-3/4"	1"	9-1/4" x 9-1/4"	2-1/2" x 4-1/2"	36 Lbs.
HW93526	25 Ton	12-1/4"	20"	1-1/2"	10" x 10"	2-1/4" x 3-1/2"	66 Lbs.



HW93733

20 TON TRUCK JACK



- Compact, powerful design quickly lifts rated capacity
- Large 8" rubber wheels
- Low height allows lifting from axle or suspension
- Pressure relief valve prevents overloading
- Rapid two-speed air hydraulic action quickly advances ram to load
- Specially coated ram prevents rust and extends jack life

HW93265

Saddle Extension Kit

(Optional, for use only on HW93733)

- Optional adapter provides added height.
- Adds 1/2", 2-3/8", or 4" to low pick-up heights



HW93265



HW93733

HW93731

20 Ton Truck Jack

- Large rubber wheels enhance mobility
- Automatic valve prevents overloading
- Extension screw permits pickup height adjustment
- Speed Pak™ provides quick, effortless lift



HW93731

Model	Capacity	Minimum Height	Maximum Height	Power Raise	Handle Length	Base Size	Extension Screw	Operating Pressure	G.W.
HW93731	20 Ton	9-3/8"	17-5/8"	5-1/2"	39-1/2"	8-3/4" x 5-1/2"	2-3/4"	110-150 PSI	69 Lbs.
HW93733		9-1/2"	20"	5"	52-1/2"	20-1/2" x 13"	5-1/2"	110-140 PSI	97 Lbs.



HW93735

25 TON TRUCK JACK



HW93735A

25 TON TRUCK JACK WITH 3" EXTENSION

- Compact, powerful design quickly lifts rated capacity
- Large 8" rubber wheels
- Low height allows lifting from axle or suspension
- Pressure relief valve prevents overloading
- Rapid two-speed air hydraulic action quickly advances ram to load
- Specially coated ram prevents rust and extends jack life
- Air-power ram retract



HW93735A

735-002-001 3" EXTENSION (OPTIONAL, FOR USE ONLY ON HW93735)

- Adds 3" pick-up height



735-002-001



HW93735

Model	Capacity	Minimum Height	Maximum Height	Power Raise	Handle Length	Base Size	Extension Screw	Operating Pressure	G.W.
HW93735	25 Ton	8"	18"	5-1/8"	53"	20" x 14"	4-7/8"	110-200 PSI	120 Lbs.
HW93735A			21" with adapter						124 Lbs.



HW93716

1/2 TON FLOOR STYLE TRANSMISSION JACK

- Four adjustable load support arms
- Wide steel frame
- Dual handle allows jack to operate from either side
- Release valve easily accessible for sensitive load
- Load-restraining chain is vital for raising and lowering safely



Made in **USA** ***

HW93716

HW93718

1 TON FLOOR STYLE TRANSMISSION JACK

- Wishbone design allows unit more mobility
- Tubular steel frame
- 360° swivel casters
- Load restraint chain
- Use 1/2" drive to tilt saddle
- Designed for heavy duty transmissions, including:
 - Fuller Roadrangers
 - Spicer 50,60,5000,6000 and split torque (SST) series
 - Mack T-2000 and Maxitorque series
 - Allison AT, MT, and HT series
 - Clark 280, 282, 285, CL455, and CL550
 - Mercedes G3 and GV4 types
 - Volvo S & R models
 - Iveco 31, 35, 46, and 2828 models



HW93718

Made in **USA** ***

Model	Capacity	Minimum Height	Maximum Height	Chassis Length	Chassis Width	Forward Tilt	Rear Tilt	Sideways Tilt	G.W.
HW93716	1/2 Ton	5-1/2"	23-1/8"	33"	20-1/4"	37°	26°	17° L & R	107 Lbs.
HW93718	1 Ton	10-1/4"	44-3/4"	47-1/2"	28-1/4"	44°	39°	13° L & R	310 Lbs.

HW93720

1/2 TON AIR/HYDRAULIC TELESCOPIC TRANSMISSION JACK

- Combines air (first stage only) and hydraulic power for maximum speed and accuracy
- Four ratcheting brackets fit transmission pan flanges
- Hefty nylon safety strap helps anchor transmission
- Wide caster base for smooth maneuverability
- Head adjustments made easy with big easy-to-grip crank handles

HW93721 MULTIPURPOSE TRANSMISSION ADAPTER (OPTIONAL, FOR USE WITH HW93720)



HW93721



HW93720

Model	Capacity	Minimum Height	Maximum Height	Lifting Head Height	Base Size	Forward Tilt	Rear Tilt	Sideways Tilt	G.W.
HW93720	1/2 Ton	34"	72"	11-3/8" x 11-3/8"	41-1/4" x 41-1/4"	35°	18°	11° L & R	117 Lbs.



HW93659

4 TON FORKLIFT JACK

- Starting height of 2-1/2" and a maximum height of 16-3/4" provides a wide range of uses
- Two-position lift pad for secure contact on a variety of surfaces
- Lift pads adjust with load plane as jack is raised and lowered
- Removable handle and compact size



HW93659

Model	Capacity	Minimum Height	Maximum Height	Power Raise	Handle Length	Base Size	G. W.
HW93659	4 Ton	2-1/2"	16-3/4"	14-1/4"	29"	8" x 26-1/2"	73 Lbs.

HW93737A

10 TON AIR JACK

- Removable handle and 10 foot air hose for safe positioning and operation
- Lifting Range 17-3/4" to 51-1/2"
- Completely air-operated
- Doubles as a support stand



HW93737A

Model	Capacity	Power Raise	Starting Height	Maximum Height	Base Diameter	Air Pressure for Rated Capacity	G.W.
HW93737A	10 Ton	11-1/2"	17-3/4" - 40"	51-1/2"	12"	200 PSI	165 Lbs.



HW93765

3/4 TON WHEEL DOLLY

- For handling of dual wheels and large single wheels
- Handles up to 52" diameter tires and wheels
- Load levelers aid alignment
- Carriage arm rollers with self-lubricating bearings
- 2 swivel ball bearing casters for easy positioning
- Wide frame and lifting carriage
- Handy tool/parts tray built-in

Made in **USA** ***

HW93765

Model	Capacity	Lift Range	Lifting Arm Length	Lifting Arm Spread	Overall Length	Overall Width	Overall Height	G.W.
HW93765	3/4 Ton	4" - 9"	23"	24"	36"	35-1/2"	31-1/2"	116 Lbs.

HW93778

1,250 LBS. ENGINE STAND

- 360° rotating head locks in any position
- Long handle allows for easy rotation of engine
- 3" diameter heavy gauge wheels and caster
- Constructed from heavy gauge welded square tubular steel

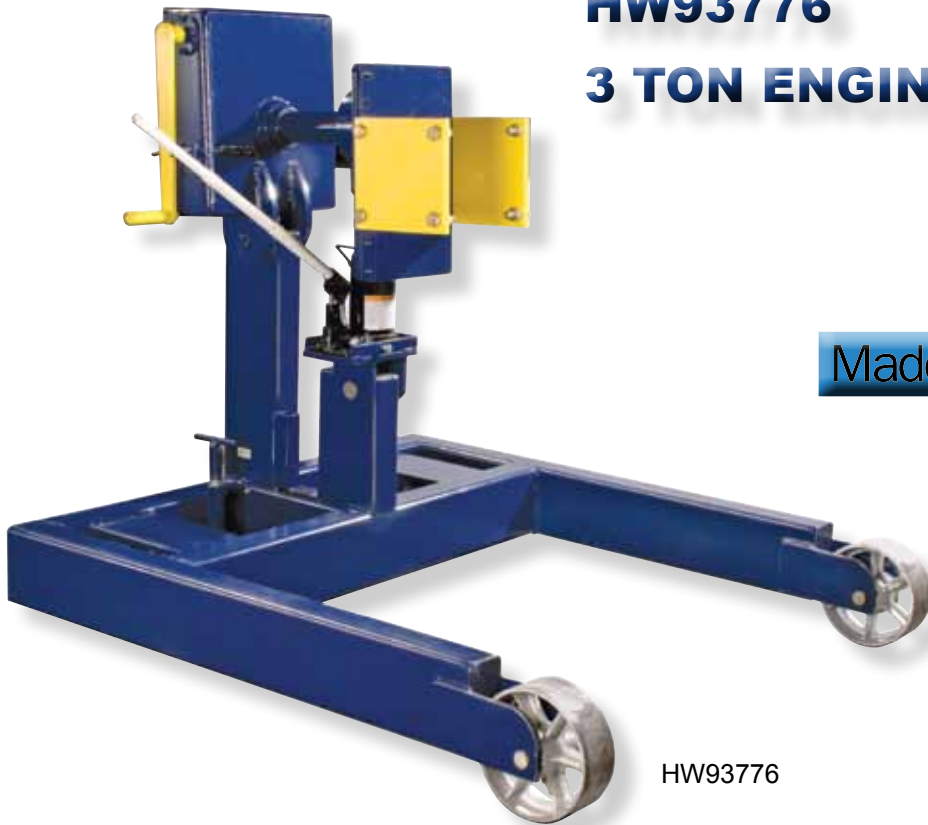
Made in **USA** ***



HW93778

Model	Capacity	Base Size	Overall Height	Head Plate	Head Plate Thickness	Wheel Diameter	Caster Diameter	Handle Length	G.W.
HW93778	1,250 Lbs.	36" X 35"	34"	9-1/2" X 6"	3/4"	3"	3"	22-1/2"	79 Lbs.

HW93776 3 TON ENGINE STAND



HW93776

**HW93776-1
Cummins Engine Stand Adapter**

For Cummins engines: all NH, NTC, & NTE 855 Series in-line 6 cyl., 378 Series V6, 504, 555 & 903 Series V8, KT 1150 Series in-line 6 Cyl. L10



- Complete clearance during 360° rotation
- Long handle provides easy engine rotation with 95 to 1 gear
- Floor lock keeps stand from moving during repairs
- Universal adapter included for use with a wide variety of optional adapters

**HW93776-3
Mack Diesel Engine Stand Adapter**

For Mack engines: 672, 673, 675 & 711. Series in-line 6 cyl.



**HW93776-2
Detroit Engine Stand Adapter**

For Detroit engines: 53 Series in-line 6 Cyl., 6V & 8V also 71 series in-line 6 cyl., 6V, 8V & 12V also 92 series 6V & 8V also 8.2 liter V8.



**HW93776-4
International Diesel Engine Stand Adapter**

For International Harvester engines: DT-466 in-line 6 cyl. DV-550, MV-404, MV-446, V304, V435, V392, 4-152, 4-194, 4-196, 9.0 liter V8, 6.9L (Ford).



**HW93776-5
Caterpillar Engine Stand Adapter**

For Caterpillar engines: 1673, 1674, 1693, 3306 & 3406 in-line 6 cyl. also 1100 & 3208 V8 and 3408 V8.



**HW93776-6
Allison Transmission Adapter**

All Allison transmissions: AT 500, MT 600, MT 6 speed, VH, VS and V730



**HW93776-7
Small Vehicle Adapter**

Small size vehicle and light truck engine 2,000 Lbs. capacity.



Model	Capacity	Overall Dimensions			Wheel Diameters		Rotational clearance from MTG. Head to Ground	G.W.
		Height	Width	Length	Front	Rear		
HW93776	3 Ton	45-3/4"	46"	52"	8"	5-3/4"	37-1/2" to 43-1/4"	602 Lbs.



HW93806

3 TON ENGINE CRANE



Made in **USA** ***

HW93806

- Roller bearings in wheels for ease of movement
- Swivel hook for full rotation of load
- Side swivel of boom for ease of positioning load
- Pry bar to remove weight from leg to ease movement of leg extension
- 3 Boom and leg extension positions
- Air operated ram for easy load lifting and control
- Equipped air pump operates on standard shop air and has smooth rise, hold, and lowering control

Model	Boom Capacity @ Length	Hook Height		Leg Extension	Overall Dimensions			Wheel Diameter		G.W.
		Min.	Max.		Height	Width	Length	Front	Rear	
HW93806	3 Ton	30-1/2"	120-1/2"	91-1/4"	87"	51"	75"	8"	6"	1,044 Lbs.
	2-1/2 Ton	18-1/2"	132-1/2"	106-3/4"						
	2 Ton	6-1/2"	144-1/2"	123"						

HW93690

10 TON AIR OPERATED END LIFT

- Three-way heavy duty brass air valve provides fine control when lifting or lowering a vehicle
- Safety latch design provides six different automatic safety lock positions to prevent unintentional lowering of load
- Heavy duty wide base for stability and strength
- Two front swivel caster wheels and two 12" diameter semi-pneumatic rear tires provide easy maneuvering
- Adjustable lifting arm can be extended to desired position



HW93690

Made in **USA** ***

Made in **USA** ***

HW93696A

2-1/2 TON AIR OPERATED END LIFT

- Three-way heavy duty brass air valve provides fine control when lifting or lowering a vehicle
- Safety latch design provides five different automatic safety lock positions to prevent unintentional lowering of load
- Front swivel caster wheel and two 8" diameter rear tires provide easy maneuvering
- Adjustable lifting arm can be extended to desired position



HW93696A

Model	Capacity	Minimum Height	Maximum Height	Power Raise	Saddle Spread	Min. Air Pressure For Rated Load	Distance (Lifting to Front of Saddle)	G.W.
HW93690	10 Ton	18-1/2"	50-1/2"	28"	28" - 53"	200 PSI	17"	641 Lbs.
HW93696A	2-1/2 Ton	10-1/4"	35-3/8"	24-1/2"	23-1/4"~ 41-1/4"		19"	210 Lbs.

HW93693

10 TON WHEEL LIFT SYSTEM



HW93693

Made in **USA** ***

- Lifts engage wheels without needing to remove panels on vehicle
- Raise front or rear end of vehicle using a single controller
- Load retention pin allows lifts to function as stands
- Wide base ensures stability
- Completely air operated. No electrical connections required
- Safety latch design provides six different locked positions
- U.S. Patent No.D357,106 and 5,484,134
- Portable for use in any area of the shop.
- Sold and to be used in pairs

Model	Capacity	Minimum Height	Maximum Height	Power Raise	Min. Wheel Diameter	Max. Wheel Diameter	Frame Size (W x D X H)	Operating Pressure	G.W.
HW93693	10 Ton	Floor Level	24"	24"	19.5"	24.5"	41-9/16" X 39-1/2" X 53-1/4"	160 PSI	1,234 Lbs.

HW93300 SERIES

25 TON SHOP PRESS

- Excellent for bending, bonding, or straightening applications
- Multi-position bed for work height adjustment
- Heavy steel welded construction
- Includes hand winch for easy bed adjustments
- Ideal for the removal or installation of gears, universal joints, pulleys, wrist pins, and other press jobs
- Industrial grade rams and hydraulic pumps
- 4" pressure gauge standard



HW93300

HW93610

100 TON SHOP PRESS

HW93400 SERIES

55 TON SHOP PRESS



HW93400



Optional arbor plates

AP25

• Arbor plate for 25 ton shop presses

AP55

• Arbor plate for 55 ton shop presses

AP100

• Arbor plate for 100 ton shop presses



HW93610

Model	Capacity	Stroke	Pump Type	Press Size (H x W x L)	Interior Width	Bed Depth	Bed Position	Working Height	G.W.
HW93300	25 Ton	6"	Manual	71" x 42-3/4" x 29-3/4"	29-3/4"	11-1/2"	8	5-1/2" ~ 47-1/2"	484 Lbs.
HW93301			Air						487 Lbs.
HW93400	55 Ton		Manual	80-1/2" x 53" x 30"	35-1/2"	14-7/8"	9	7-1/2" ~ 55-1/2"	855 Lbs.
HW93401			Air						850 Lbs.
HW93402	13"		Electric						916 Lbs.
HW93403			Air						891 Lbs.
HW93404	Electric	948 Lbs.							
HW93610	100 Ton	10"	Electric						89" x 63" x 30"

HW93309

25 TON SHOP PRESS ACCESSORIES KIT

Accessories kit contains

- Ram forcing cap (300-002-229)
- V push adapter (300-002-807)
- Threaded adapter (300-002-953)
- 1" push adapter (300-002-511)
- 3/4" push adapter (300-002-510)
- Arbor plates (AP25)
- G.W. 38 Lbs.



Made in **USA** ***

HW93409

55 TON SHOP PRESS ACCESSORIES KIT

Accessories kit contains

- Ram forcing cap (400-002-230)
- V Push adapter (400-002-808)
- Threaded adapter (400-002-368)
- 1-1/2" push adapter (400-002-757)
- 1-1/4" push adapter (400-002-756)
- Arbor plates (AP55)
- G.W. 79 Lbs.



Made in **USA** ***



HW93291

HW93294

HW93291

1 QUART PREMIUM JACK OIL

HW93294

1 GALLON PREMIUM JACK OIL

Made in **USA** ***

Model	Volume	Viscosity Index	Viscosity @ 100°F (S.U.S.)	Viscosity @ 210°F (S.U.S.)	ISO Grade	Flash Point	Pour Point	API Gravity
HW93291	1 Quart	93 min.	65	35	10	405 °F	-59 °F	25.5
HW93294	1 Gallon							

OMNI™ MULTIDIRECTIONAL BOTTLE JACKS

- Hydraulic system is protected from internal damage by a by-pass mechanism U.S. Patent No.5,946,912
- Machined and polished cylinders with die-cut threads provide non-abrasive leak-free, durable performance
- Operate at verticle or horizontal position
- Attached with multi-directional lifting apparatus, by U.S. Patent No.7,694,940, provides operate at any working position.



16123
12 Ton Capacity



16203
20 Ton Capacity

Model	Capacity	Minimum Height	Maximum Height	Hydraulic Lifting	Extension Screw	Base Size Length	Base Size Width	G.W.
16123	12 Ton	9-1/2"	18-5/8"	6"	3-1/8"	5-1/4"	5-1/8"	18 Lbs.
16203	20 Ton					6-1/4"	5-7/8"	28 Lbs.

SIDE PUMP BOTTLE JACKS



- Hydraulic system is protected from internal damage by a by-pass mechanism U.S. Patent No.5,946,912
- Machined and polished cylinders with die-cut threads provide non-abrasive leak-free, durable performance
- Fabricated from hard-cast steel with heat-treated critical stress areas
- Unique cross-type forged release valve assures positive load control
- A wide, rugged base provides stability and strength

Model	Capacity	Minimum Height	Maximum Height	Hydraulic Lifting	Extension Screw	Base Size Length	Base Size Width	G.W.
10025C	2 Ton	7-1/4"	13-5/8"	4-3/8"	2"	3-3/4"	3-5/8"	7 Lbs.
10045C	4 Ton	8"	15-3/8"	5"	2-3/8"	4"	3-7/8"	9 Lbs.
10065C	6 Ton	8-5/8"	16-3/4"	5-1/8"	3"	4-1/4"	4"	12 Lbs.
10085C	8 Ton	8-7/8"	17-5/8"	6"	2-3/4"	4-3/4"	4-3/4"	14 Lbs.
10125C	12 Ton	9-1/2"	18-5/8"	6"	3-1/8"	5-1/4"	5-1/8"	18 Lbs.
10129C		6"	10-5/8"	3"	1-5/8"			14 Lbs.
10205C	20 Ton	9-1/2"	18-5/8"	6"	3-1/8"	6-1/4"	5-7/8"	27 Lbs.
10209C		6-1/2"	11-1/4"	3-1/8"	1-5/8"			21 Lbs.
10300	30 Ton	11"	18"	7"	N/A	8-1/8"	6-7/8"	55 Lbs.
10500	50 Ton	9-1/2"	13-7/8"	4-3/8"		10-7/8"	7-5/8"	107 Lbs.



IN-LINE BOTTLE JACKS

- Heat-treated extension screw allows low pick-up height adjustment and maximum lift height
- A built-in by-pass device protects hydraulic system from over pumping damage, U.S. Patent No.5,946,912
- Unique cross-type forged release valve assures positive control
- A wide, rugged base provides stability and strength
- In-line pump allows for easy jack positioning under load



Model	Capacity	Minimum Height	Maximum Height	Hydraulic Lifting	Extension Screw	Base Size Length	Base Size Width	G.W.
10120	12 Ton	9-1/2"	18-5/8"	6"	3-1/8"	7"	4-1/4"	19 Lbs.
10128		6"	10-3/4"	3-1/8"	1-5/8"			16 Lbs.
10200	20 Ton	9-1/2"	18-5/8"	6"	3-1/8"	7-3/4"	5"	28 Lbs.
10208		6-1/2"	11-1/4"	3-1/8"	1-5/8"			23 Lbs.

TOE JACKS

- Heat-treated medium-carbon steel cylinder
- Dual lift points
- Rotating pumping socket for multi-directional use
- Chrome plated ram guarantees longer seal life and optimum performance
- Hydraulic system is protected from internal damage by a patented by-pass mechanism, U.S. Patent No.5,946,912



Model	Capacity	Minimum Toe Height	Maximum Toe Height	Minimum Head Height	Maximum Head Height	Hydraulic Lifting	Base Size Length	Base Size Width	G.W.
13060	3 Ton	5/8"	5-3/4"	9"	14-1/8"	5-1/8"	8-5/8"	7-1/2"	39 Lbs.
13120	6 Ton	7/8"	6"	10-1/2"	15-5/8"		11"	7-1/2"	55 Lbs.
13200	10 Ton	1-1/8"	6-1/4"	11"	16-1/8"		11-5/8"	9-1/4"	86 Lbs.

AIR ACTUATED BOTTLE JACKS

18122C & 18202C are made with welded construction which eliminates contaminants from entering hydraulic system and provides leak free operation.



18125
12 Ton Capacity

18122C
12 Ton Capacity

18202C
20 Ton Capacity

18205
20 Ton Capacity

18209
20 Ton Capacity (Low profile)

18302C
30 Ton Capacity

18502
50 Ton Capacity

18992
100 Ton Capacity

- Effortless air operation will greatly reduce operator fatigue and speed up the efficiency of garage work
- A compact yet powerful Air Turbo Motor U.S. Patent No. 5,341,723 is equipped to raise the load to the desired height efficiently, effortlessly, and safely
- U.S. Patent No.5,946,912, a built-in by-pass device protects hydraulic system from over pumping damage
- Versatile "Quick Connector" design provides for easy removal of air hose from air motor allowing compact storage or remote operation
- All air bottle jacks have chrome plated rams

Model	Capacity	Minimum Height	Maximum Height	Hydraulic Lifting	Extension. Screw	Base Size Length	Base Size Width	G.W.
18122C	12 Ton	9-1/2"	18-1/2"	5-1/2"	3-1/2"	8"	6-1/2"	31 Lbs.
18125			18-5/8"	6"	3-1/8"	8-7/8"	5-3/4"	29 Lbs.
18202C	20 Ton	9-3/4"	18-3/4"	5-1/8"	3-7/8"	8-1/2"	7-1/4"	40 Lbs.
18205			18-1/4"	5-5/8"	3-1/8"	9-1/4"	6-3/4"	39 Lbs.
18209			15-1/2"	4"	3-3/8"	8-1/2"	7-1/4"	35 Lbs.
18302C	30 Ton	11"	18-1/8"	7-1/8"	N/A	10-1/4"	8-1/4"	63 Lbs.
18502	50 Ton	12"	19"	7"		10-7/8"	7-3/8"	139 Lbs.
18992	100 Ton		18-1/8"	6-1/8"		12-5/8"	9-3/8"	218 Lbs.

JACK PAD

- Provides stable surface for bottle and air bottle jacks
- 20 Ton capacity
- Light weight
- Non-skid surface



90020

<i>Model</i>	<i>Capacity</i>	<i>Dimensions (L X H X W)</i>	<i>G.W.</i>
90020	20 Ton	12" X 12" X 1"	5 Lbs.

MOTORCYCLE/ATV JACK



- Safety lock mechanism for supporting purpose
- Rubber padded lifting platform prevents scratching and protects your machine
- Non-slip foot pedal allows effortless lifting of load
- Foot pedal operated power unit
- Tie down strap included

49154
 1,500 Lbs. Capacity

<i>Model</i>	<i>Capacity</i>	<i>Minimum Height</i>	<i>Maximum Height</i>	<i>Base Size Length</i>	<i>Base Size Width</i>	<i>G.W.</i>
49154	1,500 Lbs.	4-1/2"	16-1/2"	34-7/8"	17-7/8"	96 Lbs.

MAGIC LIFT SERVICE JACKS

- Innovative design of Magic Lift offers a quick lift for professional performance, U.S. Patent No. 6,199,379
- Heavy gauge construction with rugged universal joint release valve
- Built-in by-pass device protects hydraulic system from over pumping damage U.S. Patent No. 5,946,912
- Metered release system allows for precise load control
- After the first pump reaches the lifting point, the jack continues with extraordinary lifting speed to raise the load to the desired height
- Rolled side frame adds strength and rigidity to reduce twisting



One Piece Handle



25025A
2-1/2 Ton Capacity



Two Piece Handle



25025
2-1/2 Ton Capacity

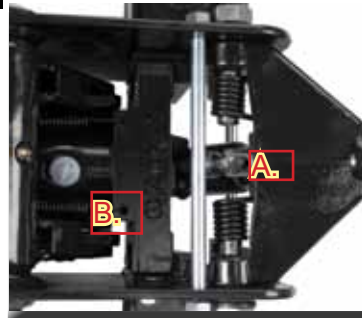


One Piece Handle



25037
3 Ton Capacity

Model	Capacity	Minimum Height	Maximum Height	Handle Length	Saddle Diameter	Jack Size Length	Jack Size Width	Jack Size Height	G.W.
25025	2-1/2 Ton	4"	20"	49-7/8"	5-1/2"	29-3/4"	13-1/4"	6-1/4"	99 Lbs.
25025A						31-7/8"	15-3/8"	7-3/8"	138 Lbs.
25037	3 Ton		23"						



A. Universal joint release mechanism provides precision control of load descent in any handle position

B. Exclusive designed breather plug eliminates air in the hydraulic system, optimizing jack performance, U.S. Patent No.7,194,859



Model	Capacity	Minimum Height	Maximum Height	Handle Length	Saddle Diameter	Jack Size Length	Jack Size Width	Jack Size Height	G.W.
27025	2-1/2 Ton	4"	20-1/4"	49-7/8"	5-1/2"	29-3/8"	14-7/8"	7-1/4"	88 Lbs.
27026			21-5/8"		4-3/4"	30-7/8"			
27035	3-1/2 Ton	4"	21-5/8"	49-7/8"	4-3/4"	30-7/8"	14-7/8"	7-1/4"	109 Lbs.
27036			21-5/8"		4-3/4"	30-7/8"			

MAGIC LIFT SWIVEL HANDLE SERVICE JACK

- Innovative design of Magic Lift offers a quick lift for professional performance, U.S. Patent No.6,199,379
- Heavy gauge construction with rugged universal joint release valve
- A built-in by-pass device protects hydraulic system from over pumping damage, U.S. Patent No.5,946,912



Breather plug assembly,
U.S. Patent No.7,194,857

Swivel Handle rotated 120°
to allow for pumping in tight
lifting area



26025
2-1/2 Ton Capacity

Model	Capacity	Minimum Height	Maximum Height	Handle Length	Saddle Diameter	Jack Size Length	Jack Size Width	Jack Size Height	G.W.
26025	2-1/2 Ton	4"	20"	49-7/8"	5-1/2"	31"	13-1/4"	6-1/4"	106 Lbs.

MAGIC LIFT ALUMINUM JACK

- All aluminum structure
- 3-3/4 inch low pickup height for easy access to low profile performance
- Innovative design of Magic Lift, U.S. Patent No.6,199,379 offers a quick lift for professional performance
- 48 inch aluminum handle for strength when pumping
- A built-in by-pass device protects hydraulic system from over pumping damage, U.S. Patent No.5,946,912
- Side frame handles allow for easy lifting and carrying

Anti-slip release handle ,
U.S. Patent No.7,036,797

Breather plug assembly,
U.S. Patent No.7,194,857



26020
2 Ton Capacity

Model	Capacity	Minimum Height	Maximum Height	Handle Length	Saddle Diameter	Jack Size Length	Jack Size Width	Jack Size Height	G.W.
26020	2 Ton	3-3/4"	18-1/2"	44"	4-7/8"	27-3/4"	12-1/4"	6-1/4"	45 Lbs.

HIGH LIFT MAGIC LIFT SERVICE JACK



Breather plug assembly,
U.S. Patent No.7,194,857

- Innovative design of Magic Lift offers a quick lift for professional performance, U.S. Patent No.6,199,379
- Heavy gauge construction with rugged universal joint release valve
- A built-in by-pass device protects hydraulic system from over pumping damage, U.S. Patent No.5,946,912
- Metered release system allows for precise load control
- After the first pump reaches the lifting point, the jack continues with extraordinary lifting speed to raise the load to the desired height



25023
2 Ton Capacity

Model	Capacity	Minimum Height	Maximum Height	Handle Length	Saddle Diameter	Jack Size Length	Jack Size Width	Jack Size Height	G.W.
25023	2 Ton	3-7/8"	32-1/8"	41-3/8"	5-1/2"	41-1/8"	15-3/8"	8"	164 Lbs.

LOW PROFILE MAGIC LIFT SERVICE JACK

- 2-1/2" Min. Ht. Low-profile design for maximum access which fits easily and safely under vehicle
- Extra long low side frames designed for long reach under the car chassis
- Innovative design of Magic Lift offers a quick lift for professional performance, U.S. Patent No.6,199,379
- Wide stance and low center of gravity provides optimum stability under load stress
- Universal joint release mechanism provides precision control of load descent in any handle position
- Exclusive designed breather plug eliminates air in the hydraulic system, optimizing jack performance
- A built-in by-pass device protects hydraulic system from over pumping damage, U.S. Patent No.5,946,912



Breather plug assembly,
U.S. Patent No.7,194,857

29023
2 Ton Capacity

29025
2 Ton Capacity



Model	Capacity	Minimum Height	Maximum Height	Handle Length	Saddle Diameter	Jack Size Length	Jack Size Width	G.W.
29023	2 Ton	2-1/2"	20"	52"	4-7/8"	42-1/2"	13-3/4"	121 Lbs.
29025			19-5/8"			30"	13-5/8"	91 Lbs.

MAGIC LIFT SERVICE JACK

- Innovative design of Magic Lift offers a quick lift for professional performance, U.S. Patent No.6,199,379 performance
- Heavy gauge side frames resist twisting
- A built-in by-pass device protects hydraulic system from over pumping damage, U.S. Patent No.5,946,912



HANDLE
The Handle connection is specially re-inforced to be as firm as the one piece handle

25030
3 Ton Capacity

Model	Capacity	Minimum Height	Maximum Height	Handle Length	Saddle Diameter	Jack Size Length	Jack Size Width	Jack Size Height	G.W.
25030	3 Ton	5-3/4"	19-3/4"	42-1/8"	5-1/2"	27-1/2"	13-3/8"	6-3/8"	87 Lbs.

MAGIC LIFT SERVICE JACK COMBO



25032
3 Ton Capacity
with 3 Ton Jack Stands
(rated capacity per pair)

- Innovative design of Magic Lift offers a quick lift for professional performance, U.S. Patent No.6,199,379
- A built-in by-pass device protects hydraulic system from over pumping damage, U.S. Patent No.5,946,912
- Steel frame construction for added strength
- Wide solid stance for extra stability
- Packed in one box for easy storage and delivery



Model	Capacity (per pair)	Minimum Height	Maximum Height	Saddle Size	Base Size (L X W)	G.W. (pair)
32035 Jack Stands	3 Ton	11-1/2"	17"	3-1/2" X 1"	6-3/4" X 7-3/4"	16 Lbs.

Model	Capacity	Minimum Height	Maximum Height	Handle Length	Saddle Diameter	Jack Size Length	Jack Size Width	Jack Size Height	G.W.
25032 Service Jack	3 Ton	5-1/4"	20-7/8"	42-1/8"	5"	27-1/8"	13-3/8"	6-3/4"	98 Lbs.

MAGIC LIFT LONG CHASSIS SERVICE JACKS

- Innovative design of Magic Lift offers a quick lift for professional performance, U.S. Patent No.6,199,379
- Heavy gauge, steel frame helps prevent distortion and twisting
- Safety by-pass and over-load systems protect hydraulics, U.S. Patent No.5,946,912



Breather plug assembly,
U.S. Patent No.7,194,857

FAST & SAFE!
Convenient foot pedal
designed for fast, no
load lifts.



25057
5 Ton Capacity



Breather plug assembly,
U.S. Patent No.7,194,857

25107
10 Ton Capacity

Model	Capacity	Minimum Height	Maximum Height	Handle Length	Saddle Diameter	Jack Size Length	Jack Size Width	Jack Size Height	G.W.
25048C	4 Ton	5"	24"	40-5/8"	5	50-5/8"	15-1/2"	7-1/2"	172 Lbs.
25057	5 Ton	6-1/2"	22-1/4"	40"	6-1/2"	52-1/2"	17-1/8"	7-1/4"	202 Lbs.
25107	10 Ton	6-7/8"	27"	45-7/8"	6-1/2"	55-7/8"	19-5/8"	9-5/8"	308 Lbs.

SERVICE JACKS

- A built-in by-pass device protects hydraulic system from over pumping damage, U.S. Patent No.5,946,912
- Metered release system allows for precise load control
- Largest saddle in category
- Extra wide wheels and solid stance designed for stability under load stress

FAST & SAFE!
Convenient foot pedal designed for fast, no load lifts
U.S. Patent No. 5,431,369



21025
2-1/2 Ton Capacity



21030
3 Ton Capacity

Model	Capacity	Minimum Height	Maximum Height	Handle Length	Saddle Diameter	Jack Size Length	Jack Size Width	Jack Size Height	G.W.
21025	2-1/2 Ton	5"	19-1/2"	42-1/8"	5"	25-3/8"	13-1/8"	6-1/2"	73 Lbs.
21030	3 Ton	5-1/4"	19"			27-1/2"	13-3/8"	6-3/8"	87 Lbs.

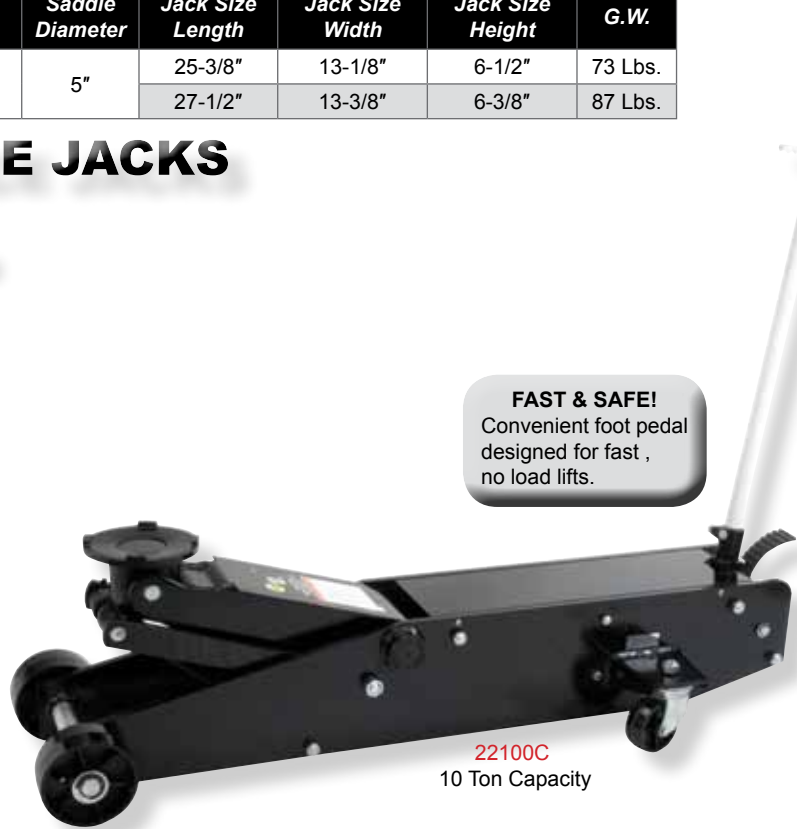
LONG CHASSIS SERVICE JACKS

- Handle actuated release valve provides metered control at any desired lowering speed
- Wide stance and low center of gravity provides optimum stability under load stress
- Heavy gauge, steel frame helps prevent distortion and twisting
- A built-in by-pass device protects hydraulic system from over pumping damage, U.S. Patent No.5,946,912

FAST & SAFE!
Convenient foot pedal designed for fast, no load lifts.



22050C
5 Ton Capacity



22100C
10 Ton Capacity

Model	Capacity	Minimum Height	Maximum Height	Handle Length	Saddle Diameter	Jack Size Length	Jack Size Width	Jack Size Height	G.W.
22040C	4 Ton	5"	24"	42-5/8"	5-1/2"	50-5/8"	15-3/8"	7-1/2"	156 Lbs.
22050C	5 Ton	7"	27"		6-1/2"	57-3/4"	17"	7-5/8"	233 Lbs.
22100C	10 Ton				7-3/8"	54-3/4"	20"	12-3/4"	427 Lbs.

AIR ACTUATED LONG CHASSIS SERVICE JACKS

- High speed Air Turbo Motor is equipped to raise the load to the desired height efficiently, effortlessly and safely, U.S. Patent No. 5,341,723
- A built-in by-pass device protects hydraulic system from over pumping damage, U.S. Patent No.5,946,912



Model	Capacity	Minimum Height	Maximum Height	Handle Length	Saddle Diameter	Jack Size Length	Jack Size Width	Jack Size Height	G.W.
22041C	4 Ton	5"	24"	42-5/8"	5-1/2"	50-5/8"	15-3/8"	7-1/2"	159 Lbs.
22051C	5 Ton	7"	27"		6-1/2"	57-3/4"	17"	7-5/8"	230 Lbs.
22101C	10 Ton				7-3/8"	54-3/4"	20"	12-3/4"	441 Lbs.
22201	20 Ton	7-1/2"	26"	48"	6-1/8"	62-1/4"	20-3/8"	11-3/4"	570 Lbs.
22203		13"	39-1/2"	49-1/2"	6-1/8"	74"	30-3/8"	14-3/8"	677 Lbs.

TRUCK JACKS

- A choice of three handle angles:
 - 90° for space saving storage
 - 45° for easy carrying movement
 - 0° for access to lifting point
- Heat treated extension screw allows low pick-up height adjustment and maximum lift height
- A built-in by-pass device protects hydraulic system from over pumping damage, U.S. Patent No.5,946,912
- Large steel wheels for easy positioning and smooth motion
- Sturdy one piece handle assembly is standard on all Omega Truck Jacks
- User friendly, self-returning spring minimizes operators effort, greatly reducing fatigue
- In-line air filter traps contaminants and protects air motor for longer life
- Chrome plated rams
- High speed Air Turbo Motor is equipped to raise the load to the desired height efficiently, effortlessly and safely, U.S. Patent No.5,341,723

FAST & SAFE!
Effortlessly raises the saddle quickly, then power lifts to desired height.



Model	Capacity	Minimum Height	Maximum Height with adapter	Extension Screw	Handle Length	Jack Size (L X W)	G.W.
23221C	22 Ton	9-3/4"	21-3/4"	3-7/8"	48-3/4"	22-7/8" X 13-3/4"	100 Lbs.
23222C		8-1/4"	21-7/8"			22" X 12-5/8"	96 Lbs.
23301C	30 Ton	11"	18"	N/A		22-7/8" X 13-3/4"	100 Lbs.
23501	50 Ton	12"	19"	22-7/8" X 13-3/4"		174 Lbs.	
23991	100 Ton		18-1/8"		26" X 15-3/4"	250 Lbs.	

TRUCK JACKS



23501
50 Ton Capacity



23991
100 Ton Capacity

Fingertip remote control for added safety

- Compact, low profile design for maximum access, which fits easily and safely between wheels of tandem axle vehicle
- A built-in by-pass device protects hydraulic system from over pumping damage, U.S. Patent No.5,946,912
- High speed Air Turbo Motor is equipped to raise the load to the desired height efficiently, effortlessly and safely, U.S. Patent No. 5,341,723
- Large steel wheels for easy positioning and smooth motion
- Sturdy one piece handle assembly is standard on all Omega Truck Jacks
- The release valve at the top of the handle allows for easy height adjustment safely away from the load



23227
Double Ram Model
35 Ton Capacity on the first ram
22 Ton Capacity on the second ram

Model	Capacity	Minimum Height	Maximum Height	Extension Screw	Handle Length	Jack Size (L X W)	G.W.
23227	35/22 Ton	8-1/4"	19-5/8"	3-1/4"	48-3/4"	21-5/8" X 13-7/8"	105 Lbs.

TELESCOPIC TRANSMISSION JACKS

- Chrome-plated rams maximize its high reach operated by a user-friendly foot pedal (except 40700)
- Extra-wide base lowers center of gravity and promotes stability
- Rugged steel wheels and full swivel ball bearing casters
- A unique foot release pedal provides controlled lowering of load

Hefty nylon safty strap helps anchor transmission 41000C, 41001C, 41003

Adjustable saddle for quick adjustment for most pan configurations



Model	Capacity	Minimum Height	Maximum Height	Saddle Base	Exp. Saddle Area Min.	Exp. Saddle Area Max.	Jack Size (L X W)	G.W.
40700	700 Lbs.	57-1/4"	76-3/8"	9-7/8" X 9-7/8"	9-7/8" X 9-7/8"	18-7/8" X 18-7/8"	36-1/8" X 32-5/8"	136 Lbs.
41000C	1/2 Ton	37-3/4"	78-1/8"	8-7/8" X 7-1/8"	11-1/2" X 11-1/2"	21" X 21"	33-5/8" X 33-5/8"	161 Lbs.
41003		36"	73-1/8"	9-7/8" X 9-7/8"	9-7/8" X 9-7/8"	18-7/8" X 18-7/8"	34-1/2" X 34-3/8"	145 Lbs.
42003	1 Ton	48-5/8"	77-3/8"	15-1/2" X 12-5/8"	15-1/2" X 12-5/8"	24-1/2" X 18-7/8"	42-1/2" X 39-1/2"	306 Lbs.

AIR ACTUATED TELESCOPIC TRANSMISSION JACKS

- **TURBO MOTOR** A compact, yet powerful Air Turbo Motor is equipped to raise the load to the desired height efficiently, effortlessly, and safely!, U.S. Patent No. 5,341,723



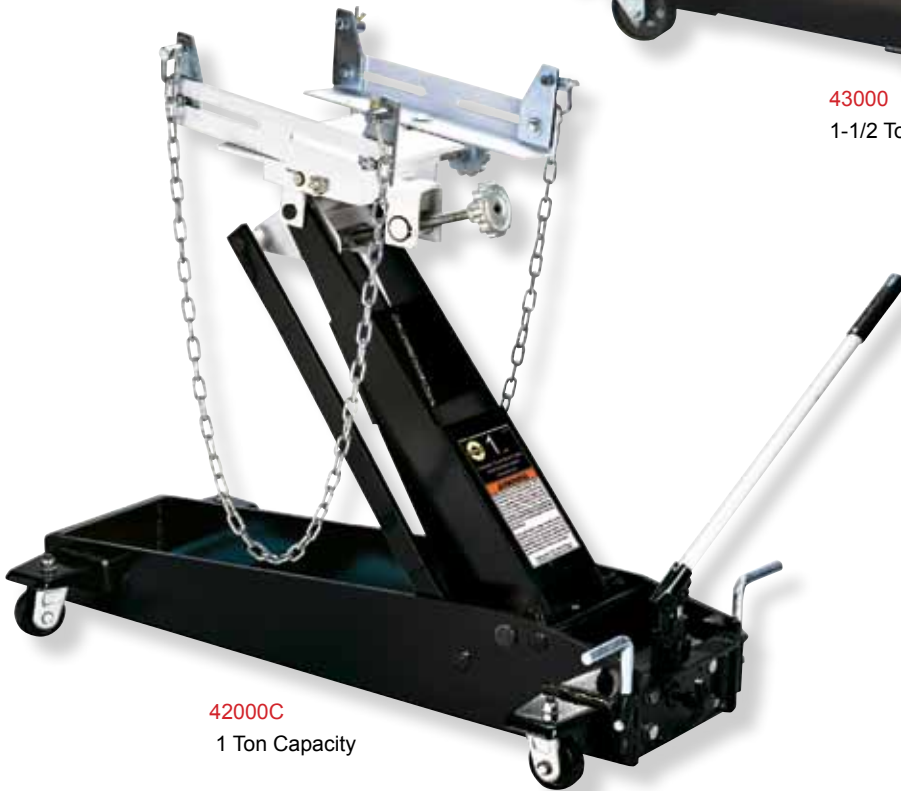
Model	Capacity	Air Pressure Required	Minimum Height	Maximum Height	Saddle Base	Expanded Saddle Area Minimum.	Expanded Saddle Area Max.	Jack Size (L X W)	G.W.
41001C	1/2 Ton	110-175 PSI	37-3/4"	78-1/8"	8-7/8" X 7-1/8"	11-1/2" X 11-1/2"	21" X 21"	33-5/8" X 33-5/8"	197 Lbs.
42001	1 Ton		48-5/8"	77-3/8"	15-1/2" X 12-5/8"	15-1/2" X 12-5/8"	24-1/2" X 18-7/8"	42-1/2" X 39-1/2"	348 Lbs.

FLOOR STYLE TRANSMISSION JACKS

- Adjustable head can be tilted forward, backward, and side to side for optimum alignment of transmission bolt pattern and pins
- Hydraulic system is protected from internal damage by a patented by-pass mechanism, U.S. Patent No.5,946,912
- Load-restraining chain is vital for raising of lowering safety
- Four wheel caster allow easy movement, positioning of transmission jack
- Rugged steel wheels and full swivel ball bearing casters
- User friendly 360° rotating pumping socket for the maximum in directional operation



43000
1-1/2 Ton Capacity



42000C
1 Ton Capacity



41100C
1/2 Ton Capacity

Model	Capacity	Minimum Height	Maximum Height	Handle Length	Saddle Base	Expanded Saddle Area	Jack Size (L X W)	G.W.
41100C	1/2 Ton	8-1/2"	24-3/4"	22-1/2"	12-5/8" X 7-7/8"	17" X 9-3/8"	31" X 15"	106 Lbs.
42000C	1 Ton	7-7/8"	33-1/2"		14-1/4" X 8"	17" X 15-3/4"	39-3/8" X 19-1/8"	200 Lbs.
43000	1-1/2 Ton		37-1/4"	29-1/2"	15-1/2" X 13-1/4"	24-7/8" X 19"	46-3/4" X 25-5/8"	364 Lbs.

CLUTCH JACK

- Handles 14" and 15-1/2" clutch assembly removal, and installation becomes a one man operation
- Spline rotates 360°, turns side to side and vertically tilts for precise clutch alignment
- Conveniently located release valve and 360° rotating pump handle allows precise alignment when replacing a clutch
- 4 swivel casters maneuver jack with ease
- Includes 1-3/4" and 2" spline standard
- Patented splined shaft assembly for clutch support, U.S. Patent No.6,189,864



40500
500 Lbs. Capacity



Model	Capacity	Minimum Height	Maximum Height	Spline Diameter	Shaft Diameter	Jack Size (L X W)	G.W.
40500	500 Lbs.	16-1/2"	42"	1-3/4" & 2"	1"	44-1/2" X 22-1/2"	160 Lbs.

FORKLIFT JACKS

- Precision control of lifting and lowering functions
- High speed Air Turbo Motor is equipped to raise the load to the desired height efficiently, effortlessly and safely, U.S. Patent No.5,341,723 (28047)
- Universal, serrated saddle positively grips load
- Massive side frames add strength



TURBO MOTOR
A compact, yet powerful Air Turbo Motor U.S. Patent No. 5,341,723 is equipped to raise the load to the desired height efficiently, effortlessly, and safely!

28047
4 Ton Capacity with air

Model	Capacity	Minimum Height	Maximum Height	Handle Length	Jack Size (L X W)	Operating Pressure	G.W.
28045	4 Ton	2-1/8"	17-1/8"	29-1/2"	29-3/4" X 10"	N/A	91 Lbs.
28047						110-175 PSI	96 Lbs.

BRAKE DRUM HANDLER

- Ideal for removing and installing truck brake drums
- Works on 15" and 16-1/2" drums
- Detachable handle for convenient storage



46000

Model	Product Size (L X W X H)	Low Lift Height	High Lift Height	Wheel Diameter	G.W.
46000	61-3/8" X 19-3/4" X 17-3/4"	10-5/8"	15"	7-7/8"	60 Lbs.

WHEEL DOLLIES

- Hydraulic system actuated to provide smooth, positive power for the removal and installation of single, tandem, and duplex tires and wheels
- Lift arms can be adjusted to handle different wheel combinations



47053

1,500 Lbs. Capacity



47050C

1,500Lbs. Capacity

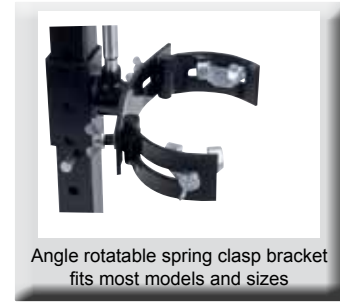
Model	Capacity	Lifting Range	Lifting Arm Dimension	Tilt Range	Product Size (L X W X H)	G.W.
47050C	1,500 Lbs.	2-1/2" - 8-3/8"	27-1/2" X 26"	-2.5° - 5.5°	45-1/8" X 39-1/2" X 34-5/8"	193 Lbs.
47053		2-1/4" - 11"	25-7/8" X 25-1/4"	-2.5° - 10°	43-1/2" X 43" X 34-7/8"	183 Lbs.

STRUT SPRING COMPRESSOR



90000

- Smooth, long stroke hydraulic actuator
- Adjustable strut shaft clasp secures the strut during operation
- Angle rotatable spring clasp bracket fits most models and size
- Sliding ram bracket provides multiple height adjustment
- Optional leg assembly for easy maneuverability



Angle rotatable spring clasp bracket fits most models and sizes



90001: Roll around leg assembly (Available separately)

Model	Ram Capacity	Hydraulic Stroke	Working Space	Strut Spring Dia. Range	Product Size (L X W X H)	G.W.
90000	4 Ton	10"	4-1/4"~15-1/2"	4"-10"	12-1/4" X 11-7/8" X 52-5/8"	103 Lbs.

PIPE BENDER

- Develops 15 tons of thrust at 10,000 PSI
- Heavy steel welded construction
- Complete with 8 attachments for a wide variety of pipe diameters
- Capable of bending most standard tubing from 1/2" up to 3"
- 8 attachments Included



66150C

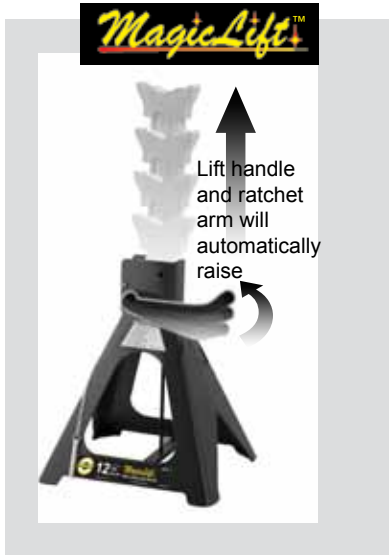
8 Adapters standard on 66150C

Model	Ram Capacity	Hydraulic Stroke	Maximum working Pressure	Product Size (L X W X H)	G.W.
66150C	15 Ton	9-7/8"	10,000 PSI	31-7/8" X 28-3/4" X 40-5/8"	182 Lbs.

SELF-RISING JACK STANDS



- Counter-weighted pawl locks ratchet bar securely in place
- Sturdy, welded steel construction
- One piece, multi-position ductile iron ratchet bar
- Patented technology automatically raises ratchet bar to load



32066
6 Ton Capacity Per Pair



SOLD AND TO BE USED ONLY IN PAIRS



32126
12 Ton Capacity Per Pair

Model	Capacity (per pair)	Minimum Height	Maximum Height	Saddle Size	Base Size (L X W)	G.W. (pair)
32066	6 Ton	15-3/4"	24-3/8"	4-1/4" X 1-1/4"	9-3/4" X 11"	32 Lbs.
32126	12 Ton	19-5/8"	30-1/4"	4-1/2" X 1-1/2"	12-3/4" X 14-3/4"	73 Lbs.

RATCHET STYLE JACK STANDS

SOLD AND TO BE USED ONLY IN PAIRS

- Counter-weighted pawl locks ratchet bar securely in place
- Sturdy, welded steel construction
- One piece, multi-position ductile iron ratchet bar



32125 12 Ton Capacity Per Pair **32035** 3 Ton Capacity Per Pair **32065** 6 Ton Capacity Per Pair

Model	Capacity (per pair)	Minimum Height	Maximum Height	Saddle Size	Base Size (L X W)	G.W. (pair)
32035	3 Ton	11-1/2"	17"	3-1/2" X 1"	6-3/4" X 7-3/4"	16 Lbs.
32065	6 Ton	15-3/8"	24-1/4"	4-1/4" X 1-1/4"	9-1/4" X 10-5/8"	32 Lbs.
32125	12 Ton	17-1/2"	27-1/2"	4-5/8" X 1-1/2"	12" X 10-3/4"	61 Lbs.

PIN STYLE JACK STANDS

SOLD AND TO BE USED ONLY IN PAIRS

- Sturdy, welded steel construction
- Heavy gauge, steel frame helps prevent twisting



32075 7 Ton Capacity Per Pair

32225 22 Ton Capacity Per Pair

32107 10 Ton Capacity Per Pair

Model	Capacity (per pair)	Minimum Height	Maximum Height	Saddle Size	Base Size Width	G.W. (pair)
32075	7 Ton	9-3/8"	14-1/8"	3-1/2" X 2-3/8"	8-3/4" X 8-3/4"	25 Lbs.
32105	10 Ton	18-5/8"	30-1/2"	3-1/8" X 5"	16" X 16"	88 Lbs.
32107	10 Ton	28"	47"	3-3/8" X 5"	16" X 16"	120 Lbs.
32225	22 Ton	12-1/4"	19-7/8"	3-1/8" X 2-3/4"	9-3/4" X 9-3/4"	65 Lbs.

AUXILIARY STANDS AND HIGH REACH SUPPLEMENTARY STAND

- Fast and safe technology for professional mechanics
- Heavy gauge, steel frame helps prevent distortion or twisting
- Auxiliary stands provide partial support for components
- High reach supplementary stand prevents tipplings and rocking of vehicle



Model	Capacity	Minimum Height	Maximum Height	Saddle Size	Base Size (L X W)	G.W.
31500	1,500 Lbs.	53-3/4"	78-7/8"	5-1/4" X 1-1/2"	12" Dia.	33 Lbs.
31501						40 Lbs.
33020	2 Ton	66-1/2"	75-3/4"		24" X 24" X 24"	54 Lbs.

TRUCK RAMPS

- Designed specifically for heavy-duty tasks
- Large wheel designs for extra durability
- Non-skid rubber matting enhances operation safety
- Long retractable T-handle for easy positioning



SOLD AND TO BE USED ONLY IN PAIRS

Model	Capacity (per pair)	Frame Size (L X W X H)	Handle Length	Maximum Vehicle Tire Width	G.W. (Pair)
93200	20 Ton	45-5/8" X 13-1/2" X 9-1/4"	33"	10-3/4"	274 Lbs.
93201		45-5/8" X 18-1/4" X 9-1/4"		15-1/2"	338 Lbs.

SHOP PRESSES WITH BOTTLE JACKS

- Ideal for the removal or installation of gears, universal joints, pulleys, wrist pins, and other various press jobs
- Excellent for bending, bonding, or straightening applications
- Multi-position bed for work height adjustment
- Heavy steel welded construction
- Hydraulic system is protected from internal damage by a patented by-pass mechanism, U.S. Patent No.5,946,912
- Arbor plates included



60120
12 Ton Capacity



60200
20 Ton Capacity

Model	Capacity	Hydraulic Stroke	Minimum Working Space	Maximum Working Width	Bed Position	Frame Size (W X D X H)	G.W.
60120	12 Ton	6"	2-5/8"	34-3/8"	8	22-3/4" X 18-1/2" X 59"	129 Lbs.
60200	20 Ton		2-1/2"	34-1/8"		28" X 28" X 64-1/2"	251 Lbs.

BENCH, SHOP PRESSES & HAND PUMPS

65123
12 Ton Capacity
(Bench Top)



55101
Optional Air Actuated 10,000 PSI Hand Pump comes with dual control oil pump, U.S. patent No. 5,445,505

55125
12 Ton Hydraulic Assembly model 60123 & 65123



60253
25 Ton Capacity

55255
25 Ton Hydraulic Assembly model 60253

Model	Capacity	Ram Stroke	Minimum Working Space	Maximum Working Space	Bed position	Frame Size (W X D X H)	G.W.
60123	12 Ton	6"	3-1/8"	34-3/4"	8	28" X 28" X 59"	211 Lbs.
60253	25 Ton		2-1/2"	34-1/4"			270 Lbs.
65123	12 Ton				16-1/8"	4	21-1/4" X 16-1/8" X 31-1/2"

ENGINE STANDS

- Constructed from heavy-gauge welded square tubular steel
- Extra-long handle with rubber grip for easy rotation and maneuvering
- Head plate rotates 360° with ease



SMOOTH ROTATION
Heavy duty worm gear allows for smooth and effortless engine rotation



Model	Capacity	Base Size (L X W)	Overall Height	Head Plate	Head Plate Thickness	Wheel Diameter	Handle Length	G.W.
30750	750 Lbs.	31-1/2" X 31-1/2"	36-3/4"	10" X 6"	3/8"	3"	20-1/4"	56 Lbs.
31250	1,250 Lbs.	33-3/8" X 33-7/8"	42-3/4"	7-1/2" X 6-1/2" X 5/8" X 10-1/2"	5/8"	3-1/2"		87 Lbs.
31252		41-3/4" X 23-5/8"					93 Lbs.	
31256							N/A	117 Lbs.

ENGINE TRANSVERSE BAR WITH ARM SUPPORT

- 700 Lbs. capacity adjustable transverse bar
- Two 14" adjustable hook screws
- Width expands from 38" to a full 61"
- Two 38" braided steel cables 1/8" diameter included



44700

Model	Capacity	Width Expand	Hook Thread Length	G.W.
44700	700 Lbs.	38" ~ 61"	12.5"	28 Lbs.

Low Profile Cylinder Kit

- Compact design for use in confined spaces
- Rod wiper helps seal out dirt and contamination
- Specially designed return spring ensures a quick retraction and extends the life of the spring
- Industrial hard chrome plated ram helps prevent scratching and corrosion
- Includes stackable 1", 2", and 3" aluminum adapters that conveniently snap into the base of the ram
- Includes high flow ball coupler and dust cap
- Convenient storage case to keep cylinder and adapters together



72101
10 Ton Capacity



1" Adapter

3" Adapter

2" Adapter

Model	Cylinder Capacity	Stroke	Cylinder Effective Area	Collapsed Height	Extended Height without adapter	Internal Pressure at Capacity	Cylinder Housing Dia.	Ram Plunger Dia.	G.W.
72101	10 Ton	1.5"	2.35 in ²	3.48"	4.98"	8,511 PSI	2.75"	1.50"	10 Lbs.

BODY REPAIR KITS



50040
4 Ton Capacity

- Sets are portable for easy usage in shop or on the road
- Custom fitted, rugged blow-molded storage case, U.S. Patent No.5,520,400. 10 ton set has wheels for easy movement
- A must for body collision repair use
- Designed for applications of pushing, spreading, and pressing of vehicle body panels as well as various component parts and assemblies
- A variety of attachments are included
- Pumps are rated from 8,000 to 10,000 PSI



50100
10 Ton Capacity

Model	Ram Capacity	Pump Capacity	Ram		Ram Effective Area	G.W.
			Close Height	Extended Height		
50040	4 Ton	8,000 PSI	10-3/4"	15-5/8"	1.0 in ²	47 Lbs.
50100	10 Ton	10,000 PSI	13-3/4"	19-3/4"	2.4 in ²	84 Lbs.

AIR ACTUATED FOOT PUMPS

- User friendly foot-actuated design for easy control of moving fluid at tremendous rate
- Uses 3/8" NPTF fluid coupler
- Efficiently operates many industrial and construction single-acting ram applications
- Provides up to 10,000 PSI with standard shop air supply of 110-175 PSI
- A compact yet powerful Air Turbo Motor, U.S. Patent No.5,341,723 is equipped to raise the load to the desired height efficiently, effortlessly, and safely
- U.S. Patent No.5,946,912, a built-in by-pass device protects hydraulic system from over pumping damage
- Made of durable light weight corrosion-free aluminum
- 22903B is equipped with mounting holes and mounting hardware for repetitive use applications



22905
122 in³ Usable oil



22903
91.5 in³ Usable oil

Model	Usable Oil Capacity	Pressure Rating	Air Pressure Rating	Output Flow Rate		G.W.
				No Load	Load	
22903	91.5 in ³	10,000 PSI	110-175 PSI	66 in ³ /min.	11 in ³ /min.	20 Lbs.
22903B	91.5 in ³			66 in ³ /min.	11 in ³ /min.	20 Lbs.
22905	122 in ³			65 in ³ /min.	12 in ³ /min.	22 Lbs.

HYDRAULIC CYLINDERS

- Designed for rated capacity pushing, spreading and pressing jobs
- Rod wiper helps seal out dirt and contamination
- Specially designed return spring ensures a quick retraction and extends the life of the spring
- Industrial hard chrome plated ram helps prevent scratching and corrosion
- Includes 3/8" high flow ball coupler and dust cap



70104 10 Ton Capacity **70106** 10 Ton Capacity **70109** 10 Ton Capacity **70108** 10 Ton Capacity **70102** 10 Ton Capacity

Model	Capacity	Stroke	Cylinder Effective Area	Collapsed Height	Extended Height	Internal Pressure at Capacity	Cylinder Outside Dimension	Ram Plunger Dimension	G.W.
70102	10 Ton	2.01"	2.24 in ²	4.84"	6.85"	8,928 PSI	2.26"	1.49"	5 Lbs.
70104		4.02"		6.85"	10.87"				7 Lbs.
70106		5.94"		9.84"	15.78"				10 Lbs.
70108		7.95"		11.85"	19.8"				12 Lbs.
70109		9.96"		13.86"	23.82"				14 Lbs.

ENGINE CRANES

- Heavy duty welded construction with rugged reinforced tubular steel
- Metered control release valve for lowering boom at a precisely controlled rate of speed
- Special 8 ton hydraulic crane jacks are equipped with a built-in by-pass mechanism, U.S. patent No.5,946,912



44010
1 Ton Capacity
Folding Design

44020
2 Ton Capacity

44010 Folded position

Model	Boom Capacity @ Length	Hook Height		Base Length	Front Base Width	Rear Base Width	Height	Wheel Diameter		G.W.
		Min.	Max.					Front	Rear	
44010	1 Ton	4-7/8"	82-1/4"	71-5/8"	18-1/2"~44-7/8"	31-1/2"	65"	5"	3-1/2"	250 Lbs.
	3/4 Ton	3-3/8"	85"							
	1/2 Ton	-	86-5/8"							
44020	2 Ton	18-3/8"	69-1/4"	62-1/2"	29"~33-7/8"	34-5/8"~53-1/8"	57"	3-1/2"	264 Lbs.	
	1-1/2 Ton	14"	75-1/4"	71-1/2"						
	1 Ton	9-1/4"	81-1/4"	80-1/2"						
	1/2 Ton	5"	86-1/2"	89-1/2"						

CRANE JACKS

- Hydraulic system is protected from internal damage by a patented by-pass mechanism, U.S. Patent No.5,946,912
- Machined and polished cylinders with die-cut threads provide non-abrasive leak-free, durable performance
- Fabricated from hard-cast steel with heat-treated critical stress areas
- A wide, rugged base provides stability and strength

Crane jacks have internal load-limiting device to protect crane and user from overload.



44980
8 Ton Capacity

44940
4 Ton Capacity

Model	Capacity	Minimum Height	Maximum Height	Base Size	G.W.
44915	1-1/2 Ton	19-7/8"	35-1/4"	5-18" X 4-1/2"	17 Lbs.
44930	3 Ton				
44940	4 Ton	24-1/8"	43-1/4"	5" X 4-3/4"	31 Lbs.
44980	8 Ton				
44981 Air				7-1/8" X 5"	38 Lbs.

BEAD BREAKER



22910

- 5" opening
- Works on single rimmed wheels
- Constructed from rugged steel
- Works with any 10,000 PSI pump

Bead Breaker Combo

22953

22953: Bead Breaker Combo
The set includes:

- Bead breaker (22910) X 1 pc
- Air treadle pump (22903) X 1 pc
- 10' Hydraulic hose (CS3838C) X 1 pc
- Hydraulic coupler (CH38) x 1 set

Model	Capacity	Maximum Rim Size	Hydraulic Oil Capacity	Product Size	G.W.
22910	5 Ton	26"	250 mL	17-1/2" X 5-1/2" X 12"	36 Lbs.

TOOLBOX CREEPER

- 450 Lbs. Rated capacity
- Steel frame construction
- Extra thick seat cushion
- 3 drawer toolbox
- Front & back tool trays
- Four 3" polyvinyl chloride, oil resistant, full bearing casters for easy movement
- U.S. design patent No.D586,132



92450



Model	Capacity	Dimensions (L X H X W)	G.W.
92450	450 Lbs.	18-1/4"x 14-1/8" x 18-7/8"	29 Lbs.

Z CREEPER

- Frame thickness -3/4"(W) X 1-5/8"(H)
- Fully upholstered Pad
- Six 3" polyvinyl chloride casters
- Powder coat finish
- U.S. Patent No.6,969,077



91000



From creeper to chair in one motion

Model	Capacity	Dimensions (L X H X W)	G.W.
91000	450 Lbs.	40" X 18" X 7-1/2"	23 Lbs.

4 TON PORTO-POWER KIT

B65114 4 Ton Porto-Power Kit

4 Ton capacity model gives you the pushing and spreading power you need to make fast and easy work of everyday repairs.

- Snap-lock design for quick, easy assembly
- Automatic pump overload system protects against damage to rams and equipment
- 4 Ton kit comes in a blow molded plastic case
- Heavy walled extension tubes stand up in tough applications
- Flex head features permanently molded rubber pad—interlocked to prevent separation
- Long handles provide low pumping effort
- 1/2 Ton capacity hydraulic spreads from 5/8" to 3-3/4"



- | | |
|----------------------------------|--------------------------------------|
| A. B65067 • Plastic Case | K. B65152 • 90° V Base |
| B. B65186 • 4 Ton Hydraulic Pump | L. B65151 • Serrated Saddle |
| C. B65187 • 4 Ton Hydraulic Ram | M. B65161 • 19-1/2" Extension Tube |
| D. B65291 • 6' Hose w/ Coupler | N. B65160 • 16-1/2" Extension Tube |
| E. B65178 • Rubber Head | O. B65159 • 8-1/2" Extension Tube |
| F. B65156 • Flat Base | P. B65158 • 6" Extension Tube |
| G. B65123 • 1/2 Ton Spreader | Q. B65157 • 3" Extension Tube |
| H. B65155 • Ram Toe | R. B65177 • Male Connector |
| I. B65154 • Plunger Toe | S. B69477 • Female Coupler, 1/4" NPT |
| J. B65153 • Wedge Head | T. B69478 • Male Coupler, 1/4" NPT |

Model	Ram Capacity	Pump Capacity	Ram		Ram Effective Area	G.W.
			Closed Height	Extended Height		
B65114	4 Ton	8,000 PSI	11"	15-3/4"	1.0 in ²	46 Lbs.

10 TON PORTO-POWER KIT

B65115 10 Ton Porto-Power Kit

The 10 Ton capacity model gives you the extra muscle you need to get the job done right.

- Snap-lock design for quick, easy assembly
- Automatic pump overload system protects against damage to rams and equipment
- Heavy walled extension tubes stand up in tough applications
- Flex head features permanently molded rubber pad—interlocked to prevent separation
- Long handles provide low pumping effort
- 1/2 Ton capacity hydraulic spreader features 2" jaws and spreads from 5/8" to 3-3/4"
- Custom fitted, rugged blow molded storage case with wheels for easy movement between jobs



- | | | |
|---------------------------------------|--------------------------------|--------------------------------------|
| A. B65068 • Mobile Case | H. B65172 • Plunger Toe | O. B65163 • 18" Extension Tube |
| B. B65188 • 10,000 PSI Hydraulic Pump | I. B65123 • 1/2 Ton Spreader | P. B65164 • 10" Extension Tube |
| C. B65189 • 10 Ton Hydraulic Ram | J. B65167 • Serrated Saddle | Q. B65165 • 4" Extension Tube |
| D. B65291 • 6' Hose w/ Coupler | K. B65173 • 90° V Base | U. B69477 • Female Coupler, 1/4" NPT |
| E. B65179 • Male Connector | L. B65169 • Ram Toe | V. B69478 • Male Coupler, 1/4" NPT |
| F. B65168 • Flat Base | M. B65166 • Wedge Head | |
| G. B65180 • Rubber Head | N. B65162 • 27" Extension Tube | |

Model	Ram Capacity	Pump Capacity	Ram		Ram Effective Area	G.W.
			Closed Height	Extended Height		
B65115	10 Ton	10,000 PSI	13-5/8"	19-3/4"	2.4 in ²	88 Lbs.

20 TON PORTO-POWER KIT

B65041 20 Ton Porto-Power Kit

- 20 Ton Porto-Power set provides extra capacity for the toughest assignments. Two-speed pump extends ram quickly saving time and money.
- Versatile attachments provide broad range of function. Automatic two speed pump speeds ram to load, then shifts power stroke. With this set, spread materials apart and pull heavy duty machinery and sections. This is a heavy duty set makes all bull-work repairs easier.



- | | | |
|--------------------------------|-------------------------------------|--------------------------------------|
| A. B65073 • Wood Chest | H. B65770 • Connector | O. B65740 • 20 Ton Ram |
| B. B65775 • Chain Pull Plate | I. B65772 • V Head | P. B65593 • 6' Hydraulic Hose |
| C. B65768 • 24" Extension Tube | J. B65776 • Threaded Coupling (3) | Q. B65774 • Lifting Toe |
| D. B65766 • 18" Extension Tube | K. B65421 • 10,000 PSI 2 Speed Pump | R. B65779 • Plunger Base |
| E. B65764 • 10" Extension Tube | L. B97518 • 8' Chain w/ hook | S. B65778 • Ram Base |
| F. B65762 • 5" Extension Tube | M. B65773 • Wedge Head | T. B65581 • Male Coupler, 3/8" NPT |
| G. B65760 • 3" Extension Tube | N. B65777 • Saddle (2) | U. B65582 • Female Coupler, 3/8" NPT |

Model	Ram Capacity	Pump Capacity	Ram		Ram Effective Area	G.W.
			Closed Height	Extended Height		
B65041	20 Ton	10,000 PSI	10-3/4"	16-3/4"	5.14 in ²	206 Lbs.

FLAT BODY RAMS

B65139 5 Ton Flat Body Kit

- 5 Ton flat body kit includes a blow mold case and 4 adapters (0.25", 0.5", 1" and 1.25")
- Magnetic adapters are stackable U.S. Patent No.7,237,762 b2



B65139

B65140 4 Ton Flat Body Ram



B65140

Model	Capacity	Stroke	Effective Area	Oil Capacity	Collapsed Height	Extended Height	Outside Dimension	Plunger Diameter	Base To Inlet Port	Base Mounting Hole		G.W.	Operating Pressure	Coupler
										Hole Diameter	Hole Distance			
B65140	4 Ton	0.63"	1.1 in ²	0.69 in ³	1.63"	2.26"	2.26" X 1.58"	0.98"	0.74"	0.2"	1.1"	2 Lbs.	8,050 PSI	B69477
B65139	5 Ton	0.24"		0.26 in ³	1.26"	1.5"			0.80"					

HYDRAULIC HAND PUMPS



B65421

B65122 Hydraulic Hand Pump B65421 Hydraulic Hand Pump

- Light weight and compact design
- Aluminum pump head for maximum corrosion resistance
- Two speed operation reduces handle strokes by as much as 78% over single speed pumps
- Lower handle effort to minimize operator fatigue
- Handle lock and lightweight construction for easy carrying
- Internal pressure relief valve for overload protection



B65122

Model	Usable Oil Capacity	Output Displacement Per Stroke		Operating Force	Piston Stroke	Oil Outlet Port	G.W. (with fluid)
		1 st Stage	2 nd Stage				
B65122	21.4 in ³	0.18 in ³	0.05 in ³	88 Lbs.	0.41"	1/4"-18NPTF	7 Lbs.
B65421	61 in ³	0.81 in ³	0.14 in ³	132 Lbs.	0.82"	3/8"-18NPTF	14 Lbs.

SPREADER

B65145 1 Ton Spreader

- Includes a B69477 Coupler
- Designed to work in confined working space
- Can be used with B65114 or B65115



B65145



Model	Capacity	Stroke	Cylinder Effective Area	Ram Collapsed Height	Ram Extended Height	G.W.
B65145	1 Ton	3.79"	1.09 in ²	0.47"	3.9"	5 Lbs.

AIR HYDRAULIC FOOT PUMPS

B65425 **10,000 PSI Air Foot Operated Pump**

- Maximum working pressure 10,000 PSI
- High strength aluminum reservoir is light weight and corrosion resistant
- Suggested air pressure 110-175 PSI
- Pressure relief valve for overload protection
- Three-positions provide cylinder advance, hold, or retract operation
- A compact yet powerful Air Turbo Motor is equipped to raise the load to the desired height efficiently, effortlessly, and safely U.S. Patent No. 5,341,723



B65425

B65426 **10,000 PSI Air Foot Operated Pump**

- Rugged construction built for long life and easy operation
- Swivel coupling simplifies hydraulic connection and pump operation
- Three-positions provide cylinder advance, hold, or retract operation
- Operates in any position
- Base mounting plate included
- A compact yet powerful Air Turbo Motor is equipped to raise the load to the desired height efficiently, effortlessly, and safely U.S. Patent No. 5,341,723



B65426

B65427 **10,000 PSI Air Foot Operated Pump**

- Greater oil capacity to handle bigger jobs
- Maximum working pressure 10,000 PSI
- High strength aluminum reservoir is lightweight and corrosion resistant
- Suggested air pressure 110-175 PSI
- Pressure relief valve for overload protection
- Three-positions provide cylinder advance, hold, or retract operation
- A compact yet powerful Air Turbo Motor is equipped to raise the load to the desired height efficiently, effortlessly, and safely U.S. Patent No. 5,341,723



B65427

Model Number	Usable Oil Capacity	Rated Pressure	Output Flow Rate (In ³ /min.)		Input Air Pressure	Output Port Threads	Input Port Threads	G.W. (with fluid)
			No Load	Load				
B65425	91.5 in ³	10,000 PSI	66	11	110-175 PSI	3/8"-18NPTF	1/4"-18 NPT	18 Lbs.
B65426	36.6 in ³		61	9				15 Lbs.
B65427	122 in ³		65	12				20 Lbs.

HYDRAULIC SETS

B65407 Hydraulic Set



B65407

- Combo includes B65426, B65593 and B65444
- Rugged construction – built for long life and easy operation
- Swivel coupling simplifies hydraulic connection and pump operation
- Three-positions provide cylinder advance, hold, or retract operation
- Operates in any position
- Base mounting plate included

B65428 Air Hydraulic Pump & Hose Combo



B65428

- Combo includes B65426 and B65293
- Rugged construction – built for long life and easy operation
- Swivel coupling simplifies hydraulic connection and pump operation
- Three-positions provide cylinder advance, hold, or retract operation
- Operates in any position
- Base mounting plate included

HYDRAULIC RAMS

- Designed for use in all positions
- High strength alloy steel for durability
- Heavy duty return springs (except B65141)
- Collar thread protectors (except B65141)
- Rod wipers seal out contaminants
- Industrial hard chrome plated ram prevents rust corrosion



Regular Rams

Model	Capacity	Stroke	Effective Area
B65141	2 Ton	3.07"	0.76 in ²
B65553	5 Ton	3.07"	1.0 in ²
B65555		5.08"	
B65441	10 Ton	2.01"	2.24 in ²
B65446		5.94"	
B65449		9.96"	
B65746	25 Ton	5.94"	5.14 in ²

Porto Power Rams

Model	Capacity	Stroke	Effective Area	Oil Capacity	Collapsed Height	Extended Height	Outside Diameter	Plunger Diameter	Base To Inlet Port	Base Hole Depth	G.W.	Operating Pressure	Coupler
B65150	4 Ton	5.0"	1.0 in ²	5.00 in ³	10.69"	15.69"	1.50"	0.88"	1.96"	1.54"	5 Lbs.	8,000 PSI	B69477
B65452	10 Ton	6.03"	2.24 in ²	13.44 in ³	14.59"	20.62"	2.26"	1.50"	3.15"	2.42"	12 Lbs.	8,950 PSI	B65582

Threaded Rams

- High quality threaded single acting cylinders
- Used to attach accessories to rod end and base

Model	Capacity	Stroke	Effective Area	Oil Capacity	Collapsed Height	Extended Height	Outside Diameter	Plunger Diameter	Base To Inlet Port	Plunger Outside Thread & Base Internal Thread	G.W.	Operating Pressure
B65142	4 Ton	5.07"	1.0 in ²	5.00 in ³	10.31"	15.39"	1.50"	1.0"	1.33"	3/4"-14 NPTF	5 Lbs.	8,000 PSI
B65442	10 Ton	6.1"	2.24 in ²	13.44 in ³	11.61"	17.72"	2.27"	1.5"	1.67"	1-1/4"-11.5 NPTF	11 Lbs.	8,930 PSI
B65444		10.12"		22.40 in ³	15.63"	25.75"					15 Lbs.	
B65740	20 Ton	5.16"	5.14 in ²	25.70 in ³	11.77"	16.93"	3.35"	2.24"	1.85"	2"-11.5 NPTF	22 Lbs.	7,780 PSI

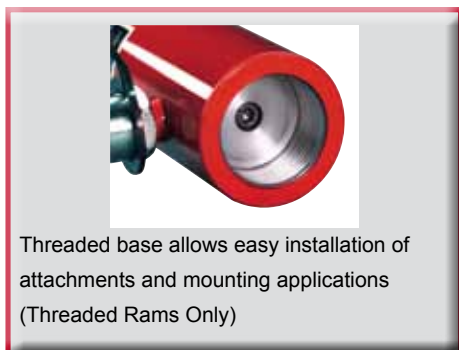




Oil Capacity	Collapsed Height	Extended Height	Outside Diameter	Plunger Diameter	Base to Inlet Port	Saddle Diameter	Base Mounting Hole			G.W.	Operating Pressure	Coupler
							Hole Diameter	Hole Distance	Hole Depth			
2.28 in ³	5.39"	8.46"	1.31"	0.87"	0.46"	1.0"	N/A	N/A	N/A	2 Lbs.	5,270 PSI	B69477
3.00 in ³	6.65"	9.72"	1.5"	1.0"	0.79"	0.98"	0.20"	1.00"	0.76"	3 Lbs.		
5.00 in ³	8.7"	13.78"					0.28"	1.54"	0.87"	5 Lbs.		
4.48 in ³	4.84"	6.85"	2.26"	1.49"	0.75"	1.38"	0.31"		0.55"	9 Lbs.	8,930 PSI	B65582
13.44 in ³	9.84"	15.78"			0.77"			14 Lbs.				
22.31 in ³	13.86"	23.82"	3.35"	2.24"	0.98"	2.13"	0.4"	2.3"	1.0"	23 Lbs.	9,730 PSI	B65582



Coupler
B69477
B65582
B65582



Threaded base allows easy installation of attachments and mounting applications (Threaded Rams Only)

FRAME STRAIGHTENER

B93601B

10 Ton Capacity Pulling Post Package

- Use with common pot patterns or chainless anchor system
- Longer/wide base for stability
- Safety tie-down brackets
- Utilizes 10" ram for longer pulls

B93601B Includes:

- A. B93600 • Pulling post
- B. B65428 • Pump/hose set
- C. B65444 • 10 Ton 10" stroke ram
- D. B97662 • 6' Chain with claw hooks (2)
- E. B97691 • 9' Chain with hook

B93601B Replacement Accessories:

- B93650 • Post extension
- B93651 • Post lifting arm
- B93652 • Lever arm with pin
- B97520 • Double grab hook
- B97521 • Hook assembly
- B97540 • Chain tightener



B. B65428



C. B65444



D. B97662



E. B97691



B93601B

Model	Capacity	Height	Base Size (L X W)	Floating Pulley Position	G.W.
B93601B	10 Ton	59"	31" X 16"	10	164 Lbs.

B93075

Anchor Pot

- Arrange anchor pot in basic pattern or make additional bay installation.
- Designed with heavy-duty protective ring at top which prevents chipping of concrete. 3-1/8" diameter



B93075

PULL RAMS

B65143

2 Ton Capacity Pull Ram with Hook

B65454

5 Ton Capacity Pull Ram with Hook



- Pull rams are equipped with chain adapter claw hooks on each end
- Accept 3/8" chain links



Model	Capacity	Stroke	Effective Area	Oil Capacity	Collapsed Height	Extended Height	Outside Diameter	Plunger Diameter	Top To Inlet Port	Ram Outside Thread & Base Mounting Hole	G.W.	Operating Pressure	Coupler
B65143	2 Ton	5.0"	0.56 in ²	2.80 in ³	10.51"	15.51"	1.89"	0.75"	0.74"	3/4"-14 NPTF	7 Lbs.	7,150 PSI	B69477
B65454	5 Ton	5.55"	1.14 in ²	6.33 in ³	11.93"	17.48"	2.25"	1.18"	0.80"	1-1/4"-11.5 NPTF	10 Lbs.	8,780 PSI	

ACCESSORIES

Gauges

- B65782 • 4" Wet Gauge 1/4" NPTF
- B65783 • 4" Dry Gauge 1/4" NPTF



B65782



B65783

Fittings

- B65129 • Reducer from 3/8" to 1/4"
- B65131 • 1/4" NPTF Gauge Fitting
- B65132 • Bushing from 1/4" to 3/8"



B65129



B65131



B65132

ACCESSORIES

Hydraulic Coupler Set



Complete Set	Hose Half	Ram Half	Hose/Ram Thread	Coupler Connecting Thread
Porto-Power Coupler	B69478	B69477	1/4" NPT	13/16" - 20 UNEF
B65280	B65281	B65282	1/4" NPT	3/4" - 20 UNEF
B65580	B65581	B65582	3/8" NPT	15/16" - 20 UNEF

Hydraulic Hoses

- B65290 • 1/4" ID, 6' Hose, 1/4" NPTF Connection
- B65291 • 1/4" ID, 6' Hose with Male (B69478) Coupler, 1/4" NPTF Connection
- B65590 • 3/8" ID, 10' Hose with Male (B65580) Coupler, 3/8" NPTF Connection
- B65591 • 1/4" ID, 10' Hose with Male (B69478) Half Coupler, 1/4" NPTF Connection
- B65593 • 3/8" ID, 6' Hose with Male (B65580) Half Coupler, 3/8" NPTF Connection
- B65594 • 3/8" ID, 6' Hose, 3/8" NPTF Connection

Model	Hose Size	Length	Hose End Fitting	Coupler
B65290	1/4" ID	6'	1/4" NPTF Connection	-
B65291				Male Half Coupler (B69478)
B65590	3/8" ID	10'	3/8" NPTF Connection	Male Half Coupler (B65581)
B65591	1/4" ID		1/4" NPTF Connection	Male Half Coupler (B69478)
B65593	3/8" ID	6'	3/8" NPTF Connection	Male Half Coupler (B65581)
B65594				-



Chains & Hooks

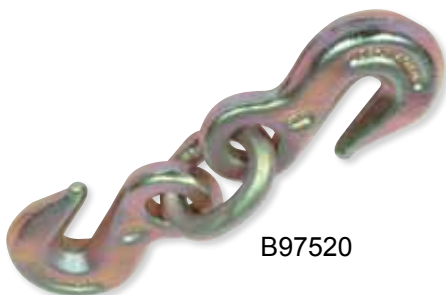
- B97520 • Double grab hook
- B97651 • 15' Chain with claw hook
- B97661 • 6' Chain with claw hook
- B97662 • 6' Chain with 2 claw hooks
- B97691 • 9' Chain with grab hook
- B97518 • 8' Chain with grab hook
- B97521 • Hook assembly
- B97527 • 6' Chain with grab hook
- B97528 • 6' Chain with 2 grab hooks



B97527



B97528



B97520



B97662



B97691

WARRANTY



TWO YEAR LIMITED WARRANTY

Warranty Information

For a period of two (2) years from date of purchase, SFA Companies will repair or replace, at its option, without charge, any of its products which fails due to a defect in material or workmanship under normal usage. This limited warranty is a consumer's exclusive remedy.

Performance of any obligation under this warranty may be obtained by returning the warranted product, freight prepaid, to SFA Companies Warranty Service Department, 10939 N. Pomona Ave., Kansas City, MO 64153.

Except where such limitations and exclusions are specifically prohibited by applicable law:

- (1) THE CONSUMER'S SOLE AND EXCLUSIVE REMEDY SHALL BE THE REPAIR OR REPLACEMENT OF DEFECTIVE PRODUCTS AS DESCRIBED ABOVE.
- (2) SFA COMPANIES SHALL NOT BE LIABLE FOR ANY CONSEQUENTIAL OR INCIDENTAL DAMAGE OR LOSS WHATSOEVER.
- (3) ANY IMPLIED WARRANTIES, INCLUDING WITHOUT LIMITATION THE IMPLIED WARRANTIES OF MERCHANTABILITY AND FITNESS FOR A PARTICULAR PURPOSE, SHALL BE LIMITED TO TWO YEARS. OTHERWISE THE REPAIR, REPLACEMENT OR REFUND AS PROVIDED UNDER THIS EXPRESS LIMITED WARRANTY IS THE EXCLUSIVE REMEDY OF THE CONSUMER, AND IS PROVIDED IN LIEU OF ALL OTHER WARRANTIES, EXPRESS OR IMPLIED.
- (4) ANY MODIFICATION, ALTERATION, ABUSE, UNAUTHORIZED SERVICE OR ORNAMENTAL DESIGN VOIDS THIS WARRANTY AND IS NOT COVERED BY THIS WARRANTY.

- Some states do not allow limitations on how long an implied warranty lasts, so above limitation may not apply to you.
- Some states do not allow the exclusion or limitation of incidental or consequential damages, so the above limitation or exclusion may not apply to you. The warranty gives you specific legal rights, and you may also have other rights which vary from state to state.



ONE YEAR LIMITED WARRANTY

Warranty Information

For a period of one (1) year from date of purchase, SFA Companies will repair or replace, at its option, without charge, any of its products which fails due to defect in material or workmanship, or which fails to conform to any implied warranty not excluded hereby. Performance of any obligation under this warranty may be obtained by returning the warranted product, freight prepaid, to SFA Companies Warranty Service Department, 10939 N. Pomona Avenue, Kansas City, MO 64153. Except where such limitations and exclusions are specifically prohibited by applicable law.

- (1) THE CONSUMER'S SOLE AND EXCLUSIVE REMEDY SHALL BE THE REPAIR OR REPLACEMENT OF DEFECTIVE PRODUCTS AS DESCRIBED ABOVE.
- (2) SFA COMPANIES SHALL NOT BE LIABLE FOR ANY CONSEQUENTIAL OR INCIDENTAL DAMAGE OR LOSS WHATSOEVER.
- (3) THE DURATION OF ANY AND ALL EXPRESSED AND IMPLIED WARRANTIES, INCLUDING WITHOUT LIMITATION, ANY WARRANTIES OF MERCHANTABILITY AND FITNESS FOR A PARTICULAR PURPOSE, IS LIMITED TO A PERIOD OF ONE (1) YEAR FROM DATE OF PURCHASE.

- Some states do not allow limitations on how long an implied warranty lasts, so above limitation may not apply to you.
- Some states do not allow the exclusion or limitation of incidental or consequential damages, so the above limitation or exclusion may not apply to you. The warranty gives you specific legal rights, and you may also have other rights which vary from state to state.



GLOBAL LOCATIONS



SFA Companies, Inc.

USA

Shinn Fu Company of America
10939 N. Pomona Ave.
Kansas City, MO 64153
USA

Tel: 888.332.6419, 816.891.6390
Fax: 816.891.6599

Email: sfakc@shinnfuamerica.com



CANADA

Shinn Fu Company of Canada, Inc.
2840 Argentia Road, Unit 9
Mississauga, Ontario L5N 8G4
Canada

Tel: 888.332.6419, 816.891.6390
Fax: 816.891.6599

Email: sales@shinnfucanada.ca



AUSTRALIA

Shinn Fu Australia Pty.Ltd.
15 Viewtech Place
Rowville 3178 Victoria
Australia

Tel: 61.3.9755.8277
Fax: +61.3.9755.8219

Email: sales@shinnfuaustralia.com



ASIA

Shinn Fu Corporation Headquarters
7F., NO.618 Rueli Guang Road
Nei Hu District, Taipei City 114
Taiwan R.O.C.

Tel: 886.2.87517888
Fax: 886.2.87517999

Email: managment@shinnfu.com



JAPAN

Shinn Fu Japan Co., Ltd.
O's 520 ATC bldg. 2-1-10 Nanko Kita,
Suminoe-Ku, Osaka 559-0034
Japan

Tel: +81.06.6614.9714
Fax: +81.06.6.6614.9711

Email: sales@sfjapan.com



EUROPE

Shinn Fu Europe B.V.
Tussenrimer 20, 4704 SR
Roosendaal
The Netherlands

Tel: +31.165.583.300
Fax: +31.165.583.310

Email: sales@sfeu.nl

